

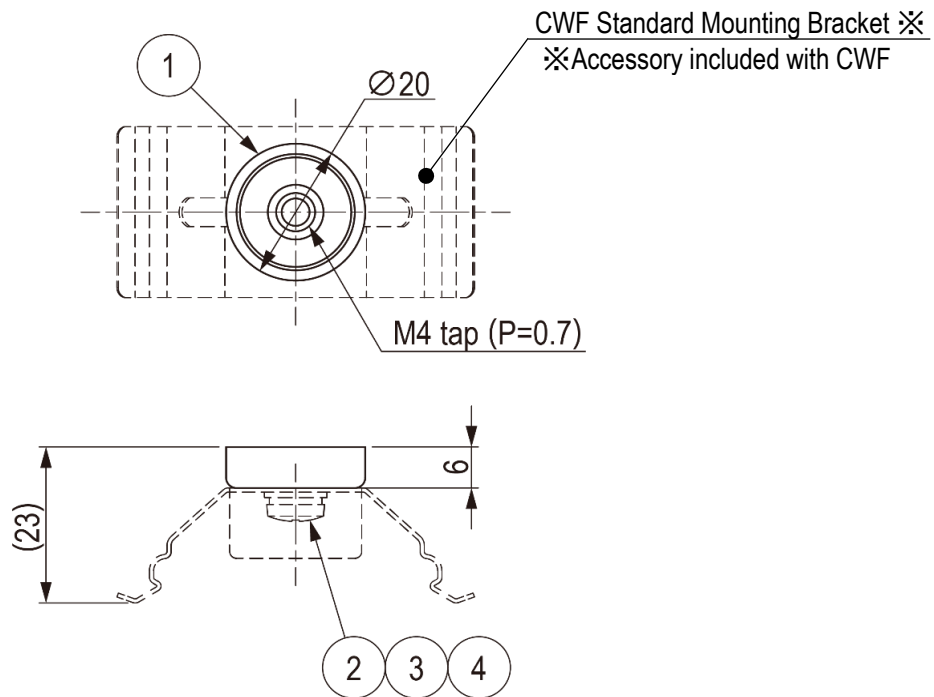
<h1>SPECIFICATIONS</h1>		

[General Specifications]

Product Name	Magnetic Mounting Bracket
Model	CWF-002
Compatible Models	Type CWF (LED Work Light)
Mounting Location	Indoor
Mounting Direction	All Directions
Mass (Tolerance $\pm 10\%$ )	11 g (1 pcs.)
Outer Dimensions	Refer to the Outer Dimension Drawing
Quantity	1 pair
Remarks	There are no contents of controlled substances exceeding the threshold for the RoHS Directive.

[Outer Dimension Drawing]

[ Unit : mm ]



Number	Name	Material etc
1	Magnet	Neodymium
2	Cross Recessed Binding Head Screw	MFNi , M4x8
3	Spring Washer	MFZn , M4
4	Plain Washer	MFZn , M4