

BSV-L

Voice Annunciator



87 dB at 1m

15 Channels (Binary)

520 Seconds

IP54

□ 75

NPN/PNP
Open-collector



Now more playback time for longer, or more messages.

FEATURES

- Sound reduction
- Use the SD card to change messages while out in the field or set up modes for the right application.
- It complies with Europe's environment-friendly RoHS Directive, conforms to the CE requirements and UL Listed.
- Can be used with transistor driven inputs. (Either NPN or PNP)
- A compact design with only a thickness of 19.9mm.
- Two installation choices of panel or wall mount with a Protection Rating of IP54 (Only for front panel mount attachment).
- The volume control is accessible from the front with maximum output of 87dB (at 1m).

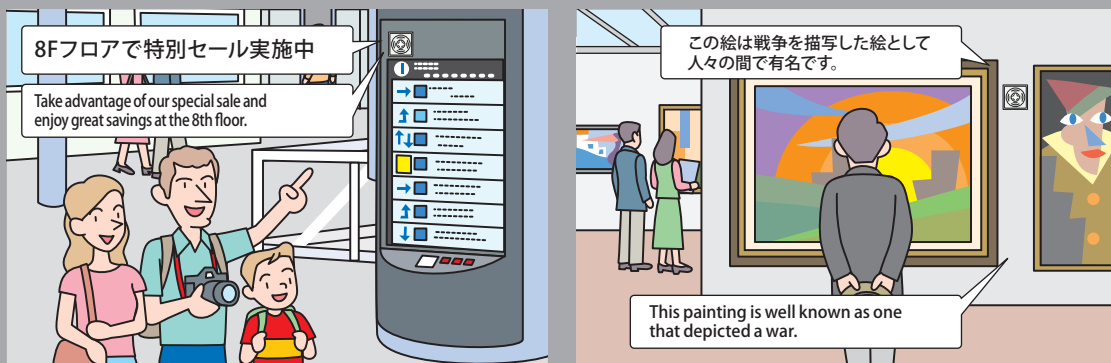
Use it for multilingual messages



- Scene: Stores, Hotels, public transportation, tourist resort spots
- Application: Announce Events, Emergency Service, Museums, etc.

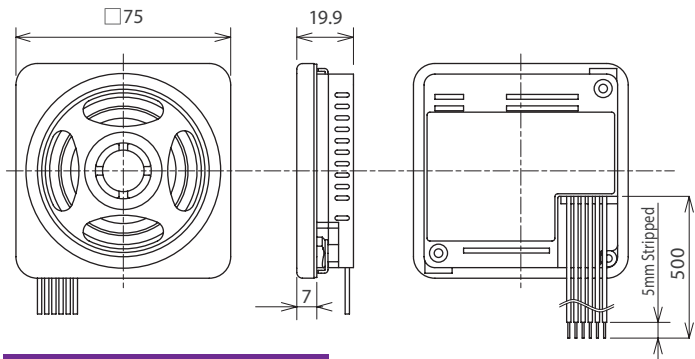


With a four-language playback, it gives 4 times as many messages.

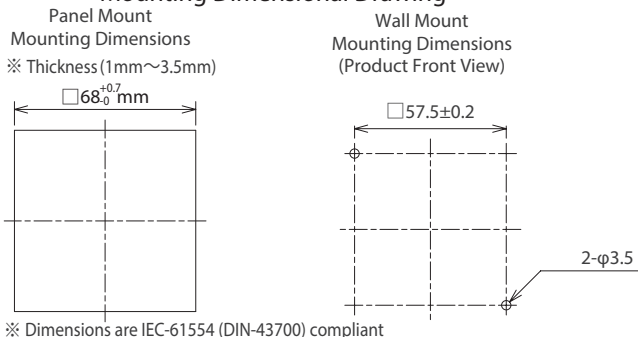


The support for multilingual communication is increasing due to the improvement in service at commercial establishments, such as for transportation, tourist resort, etc. and the audio assistance has been increased by more languages, such as Japanese, English, Chinese and Korean; therefore about 4 times the amount of playback time is needed. With the BSV-L model, a maximum of 520 seconds in playback is easy to support several multilingual messages.

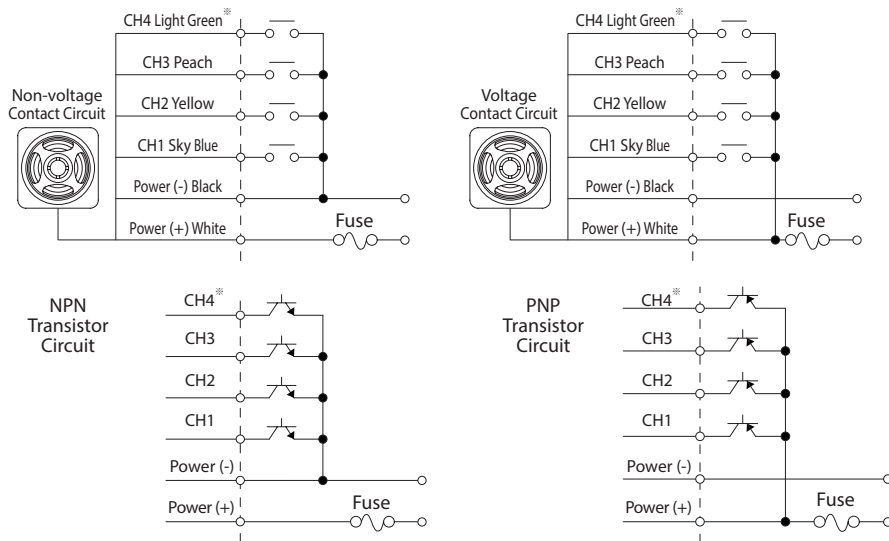
Dimensions (Unit: mm)



Mounting Dimensional Drawing



Wiring

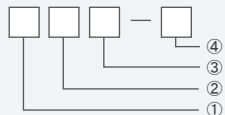


Specifications and How to Order

■ 520sec. Model

Specifications												
Model	Transistor Type	Rated Voltage	Operating Voltage Range	Power Consumption	Sound Level	Operating Temperature Range	Max. Playback Time	Playback Channels	Protection Rating	Mass	Front Cover Color	Recorded Data
BSV-24NLM-W/D	NPN Transistor	DC 12-24V	DC10.8V to 26.4V	3.5W	Max. 87dB (at 1m) 1kHz Sine Wave	-10°C to +50°C (RH 85% or less)	520sec.	4 (Bit Input) 15 (Binary Input) ※When using the Sound Reduction Function, the inputs become: 3 (Bit Input) 7 (Binary Input)	IP54 (Only for Panel Mount in the Upright Position) In accordance with IEC 60529	100g ±10%	Off white (-W) Dark Gray (-D)	Voice
BSV-24NLM-S											Silver (-S)	
BSV-24NL-W/D											Off white (-W) Dark Gray (-D)	Alarm
BSV-24NL-S											Silver (-S)	
BSV-24PLM-W/D	PNP Transistor										Off white (-W) Dark Gray (-D)	Voice
BSV-24PLM-S											Silver (-S)	
BSV-24PL-W/D											Off white (-W) Dark Gray (-D)	Alarm
BSV-24PL-S											Silver (-S)	

BSV-24



- ① Transistor Type
N : NPN Transistor
P : PNP Transistor
- ② Playback Time
L : 520 sec.
Blank : 63 sec.
- ③ Registered Messages
Blank : None (15 Alarm Sounds)
M : Pre-recorded Messages
- ④ Front Cover Color
W : Off white
D : Dark Gray
S : Silver



With the built-in SD card slot, MP3 data rewriting can be done with an SD card. In addition, rewriting or editing MP3 data files is possible with or without the exclusive PATLITE Playlist Editor 2 Application software.

Options

PATLITE Playlist Editor 2
(Free Download)

SD Card
(2 GB)
SDV-2GP

(OS: Windows® 2000/XP/Vista/Windows 7/Windows 8)

- > The new PATLITE Playlist Editor 2 is required to change the audio message data for this product.
- > The SD Card does not contain any data.

