

BSV

Voice Annunciator



87 dB at 1m

15 Channels (Binary)

63 Seconds

IP54 (Upright Only)

75

NPN/PNP
Open-collector



The unbelievably thin design for tighter installations.

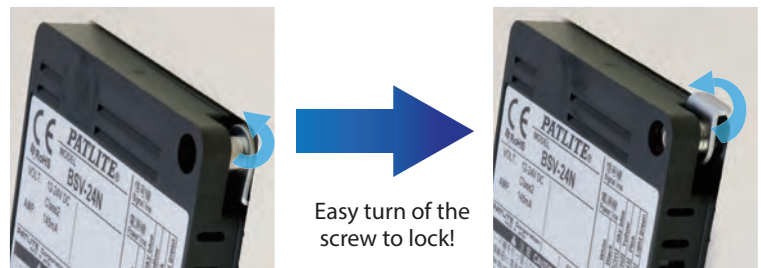
FEATURES

- Sound reduction is made with just one signal input. (Using the sound reduction function reduces the number of playback messages.)
- Diverse operational modes in combination with commands can be setup for the right application.
- The use of the SD card can allow changing messages while out in the field.
- Protection Rating of IP54 (Only for front panel mount attachment).
- Despite the thin shape, it has a maximum output of 87dB (at 1m).
- It complies with Europe's environment-friendly RoHS Directive.
- Can be used with transistor driven inputs. (Either NPN or PNP)
- A compact design with only a thickness of 19.9mm.
- Two installation choices of panel or wall mount.
- The volume control is accessible from the front.
- Listed by Underwriters Laboratories Inc.
- Conforms to the CE requirements.



Easy installation from the front.

With only the need to access the front cover, reduction in labor time and maintenance is simpler with easily removing the front cover for installation and volume adjustment, etc.



Easy turn of the screw to lock!



With the built-in SD card slot, MP3 data rewriting can be done with an SD card. In addition, rewriting or editing MP3 data files is possible with or without the exclusive PATLITE Playlist Editor 2 Application software.

Options

PATLITE Playlist Editor 2
(Free Download)

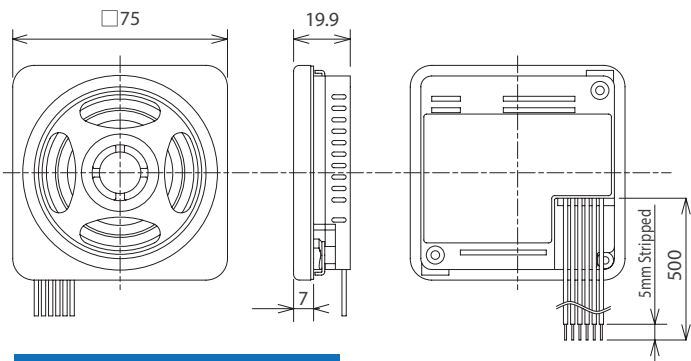
SD Card
(2 GB)
SDV-2GP

(OS: Windows® 2000/XP/Vista/Windows 7/Windows 8)

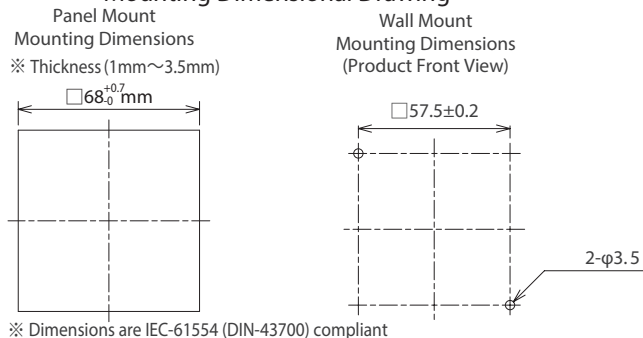
- > The new PATLITE Playlist Editor 2 is required to change the audio message data for this product.
- > The SD Card does not contain any data.



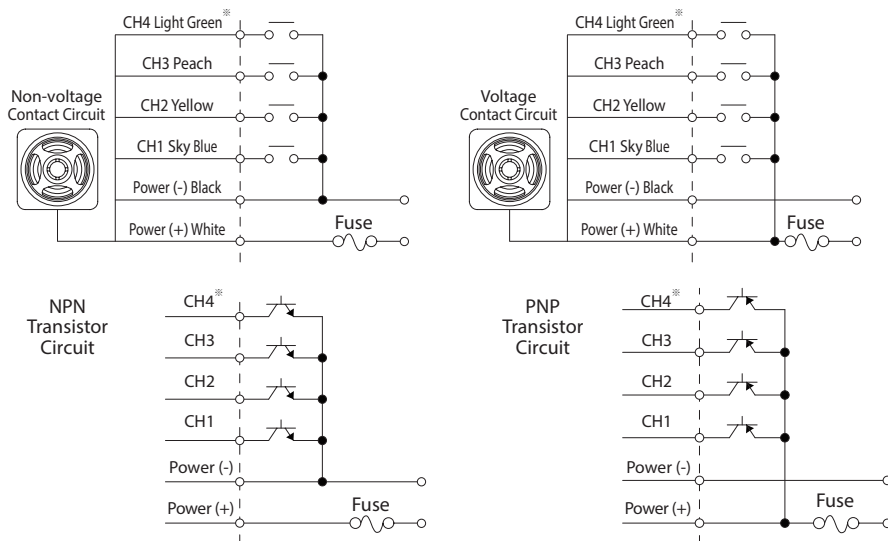
Dimensions (Unit: mm)



Mounting Dimensional Drawing



Wiring



Actual Size

Panel Mount



Wall Mount

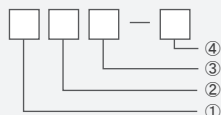


Specifications and How to Order

Specifications

Model	Transistor Type	Rated Voltage	Operating Voltage Range	Power Consumption	Sound Level	Operating Temperature Range	Max.Playback Time	Playback Channels	Protection Rating	Mass	Front Cover Color	Recorded Data									
BSV-24NM-W/D	NPN Transistor	DC 12-24V	DC10.8V to 26.4V	3.5W	Max. 87dB (at 1m) 1kHz Sine Wave	-10°C to +50°C (RH 85% or less)	63sec.	4 (Bit Input) 15 (Binary Input) ※When using the Sound Reduction Function, the inputs become: 3 (Bit Input) 7 (Binary Input)	IP54 (Only for Panel Mount in the Upright Position) In accordance with IEC 60529	100g ±10%	Off white (-W) Dark Gray (-D)	Voice									
BSV-24NM-S											Silver (-S)										
BSV-24N-W/D											Off white (-W) Dark Gray (-D)	Alarm									
BSV-24N-S											Silver (-S)										
BSV-24PM-W/D	PNP Transistor										DC 12-24V	DC10.8V to 26.4V	3.5W	Max. 87dB (at 1m) 1kHz Sine Wave	-10°C to +50°C (RH 85% or less)	63sec.	4 (Bit Input) 15 (Binary Input) ※When using the Sound Reduction Function, the inputs become: 3 (Bit Input) 7 (Binary Input)	IP54 (Only for Panel Mount in the Upright Position) In accordance with IEC 60529	100g ±10%	Off white (-W) Dark Gray (-D)	Voice
BSV-24PM-S																				Silver (-S)	
BSV-24P-W/D																				Off white (-W) Dark Gray (-D)	Alarm
BSV-24P-S																				Silver (-S)	

BSV-24



① Transistor Type
N : NPN Transistor
P : PNP Transistor

② Playback Time
L : 520 sec.
Blank : 63 sec.

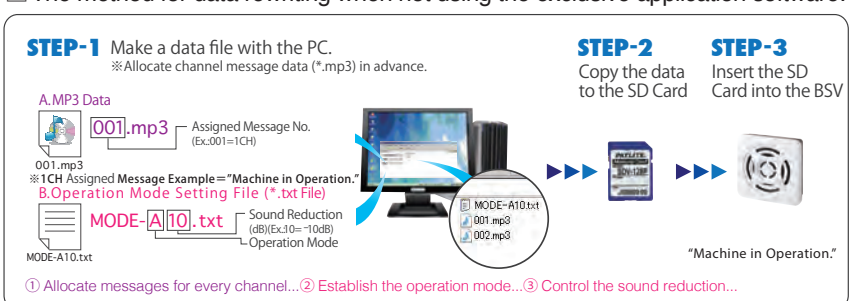
③ Registered Messages
Blank : None (15 Alarm Sounds)
M : Pre-recorded Messages

④ Front Cover Color
W : Off white
D : Dark Gray
S : Silver

Notes:

- Actual sound level will depend on sound type and surrounding operating conditions.
- MPEG Layer-3 audio coding technology licensed from Fraunhofer IIS and Thomson Licensing.

□ The method for data rewriting when not using the exclusive application software:



When using the exclusive application software, the combination of adjusting the volume of a message or separately making a volume adjustment is possible.