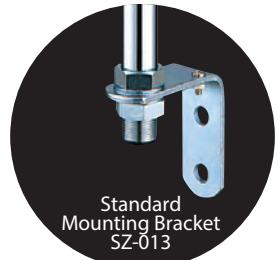
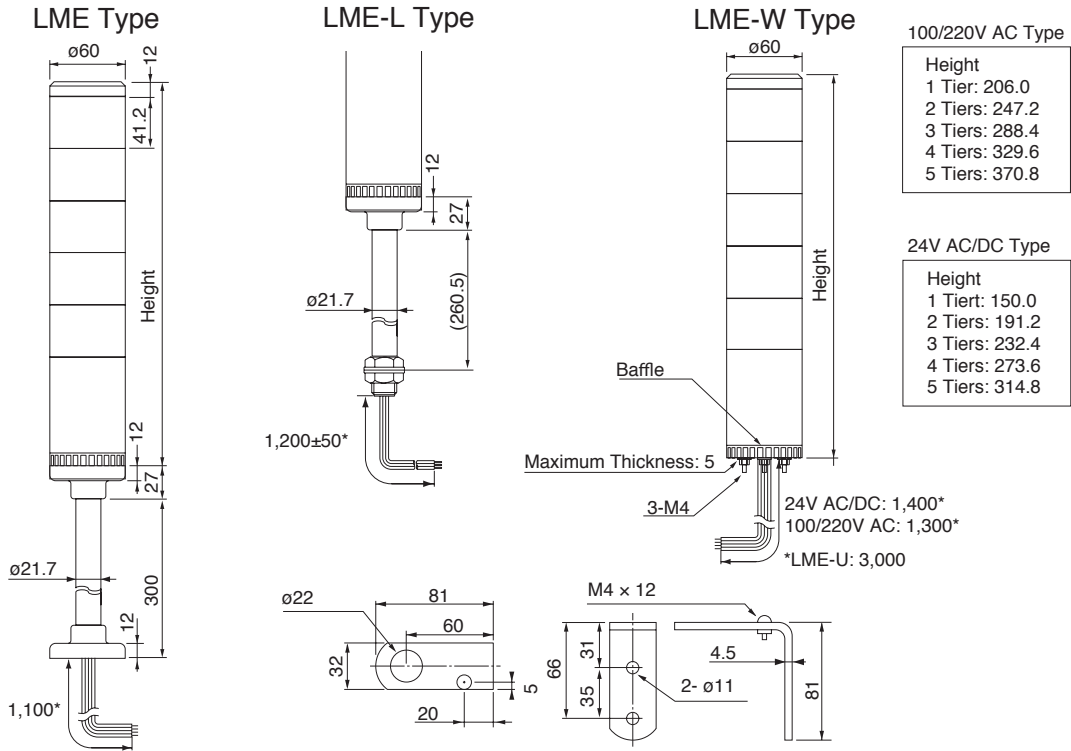


Dimensions (Unit: mm)



Specifications

Stack Number	Model	Rated Voltage	Power Consumption	Mass		
				LME	LME-L	LME-W
1 Tier	LME-102	AC/DC 24V	2.2W	0.43kg	0.73kg	0.27kg
	LME-110	AC 100V	5.1W	0.68kg	1.06kg	0.52kg
	LME-112	AC 120V			—	
	LME-120	AC 220V			—	
LME-123	AC 230V	—				
2 Tiers	LME-202	AC/DC 24V	3.4W	0.48kg	0.78kg	0.32kg
	LME-210	AC 100V	7.1W	0.73kg	1.10kg	0.57kg
	LME-212	AC 120V			—	
	LME-220	AC 220V			—	
	LME-223	AC 230V			—	
LME-202	AC/DC 24V	3.8W			0.53kg	
3 Tiers	LME-302	AC/DC 24V	3.8W	0.53kg	0.83kg	0.37kg
	LME-310	AC 100V	7.9W	0.78kg	1.14kg	0.62kg
	LME-312	AC 120V			—	
	LME-320	AC 220V			—	
LME-323	AC 230V	—				
4 Tiers	LME-402	AC/DC 24V	4.2W	0.58kg	0.88kg	0.42kg
	LME-410	AC 100V	8.7W	0.83kg	1.18kg	0.67kg
	LME-412	AC 120V			—	
	LME-420	AC 220V			—	
	LME-423	AC 230V			—	
LME-402	AC/DC 24V	4.6W			0.63kg	
5 Tiers	LME-502	AC/DC 24V	4.6W	0.63kg	0.93kg	0.47kg
	LME-510	AC 100V	9.5W	0.86kg	1.22kg	0.72kg
	LME-512	AC 120V			—	
	LME-520	AC 220V			—	
LME-523	AC 230V	—				

Lead-wire color coordination table

LED Unit Color	Lead Wire Color
Red	Red
Amber	Orange
Green	Green
Blue	Blue
Clear/White	White

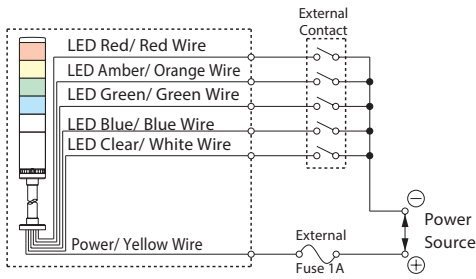
Alarm Sounds	Lead Wire Color
Buzzer 1	Purple
Buzzer 2	Skyblue

Signal Line voltage and current per LED Module

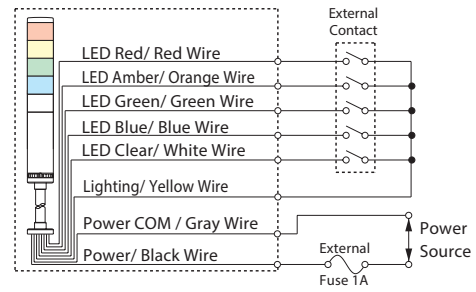
Rated Voltage	Signal Line Voltage	LED		Alarm	
		Signal Line	Current	Signal Line	Inrush
		R, Y	G, B, C	Current	Current
AC/DC 24V	AC/DC 24V	50mA	20mA	40mA	250mA
AC 100V	DC 24V	50mA	20mA	40mA	250mA
AC 200V					

Wiring

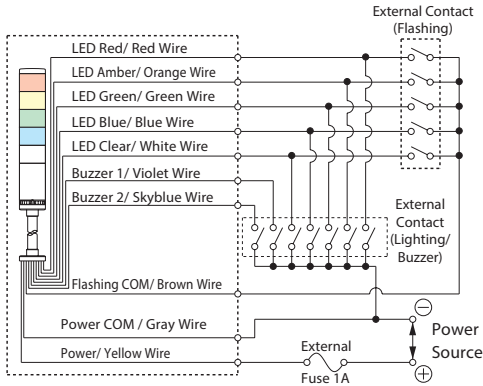
• DC 24V Lighting Type



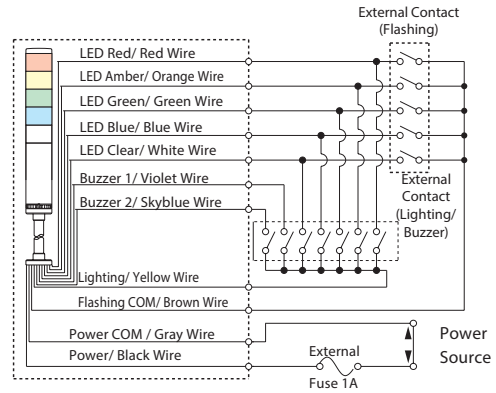
• AC Power Lighting Type



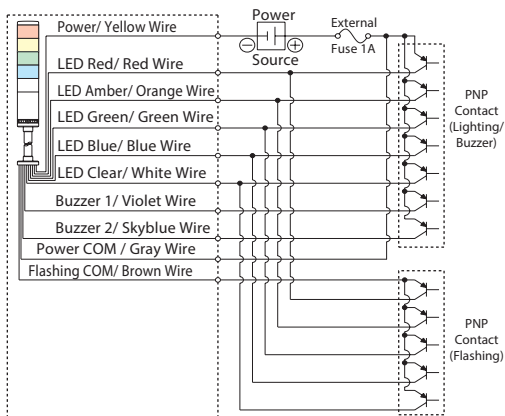
• DC 24V Lighting/Flashing Type



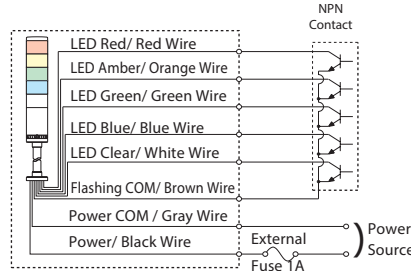
• AC Power Lighting/Flashing Type



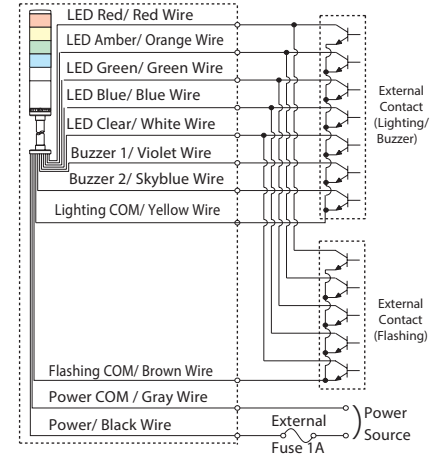
• DC 24V NPN FB Type



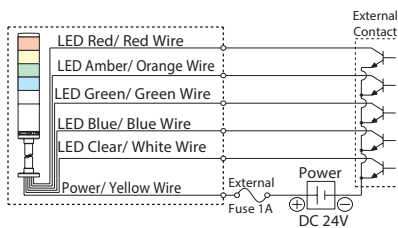
• AC Power NPN Type



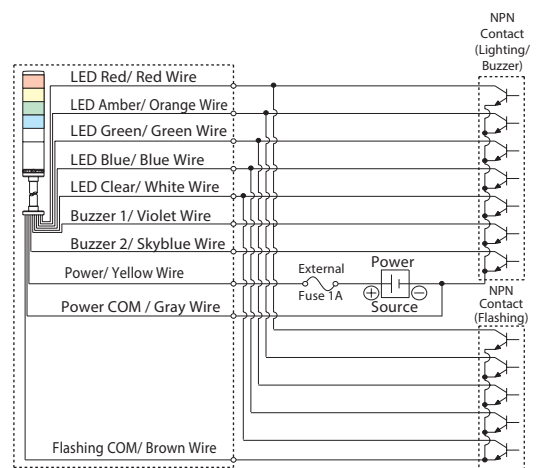
• AC Power NPN FB Type



• DC 24V NPN Type



• DC 24V PNP FB Type



• DC 24V PNP Type

