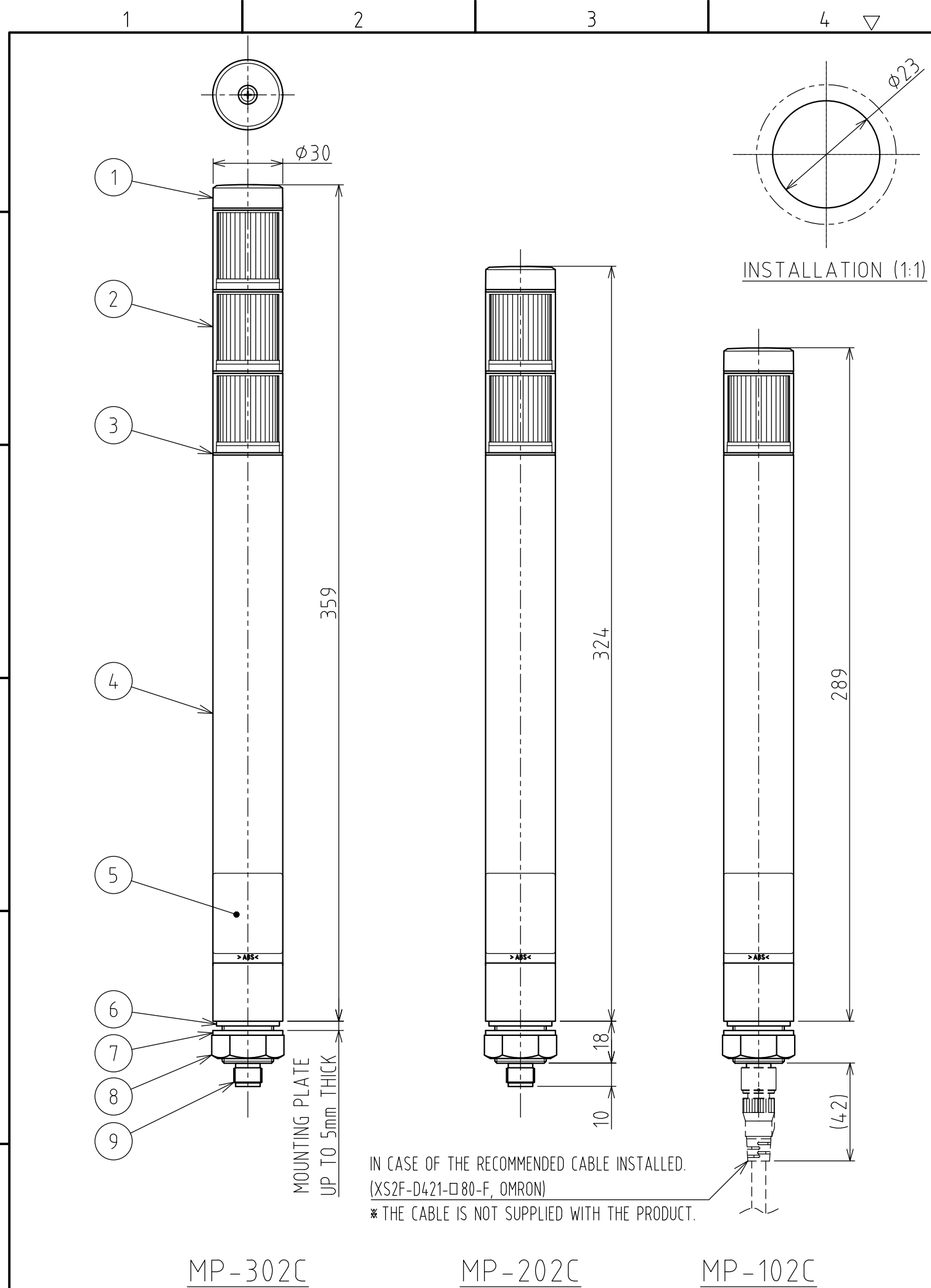


<h1>SPECIFICATIONS</h1>
-------------------------

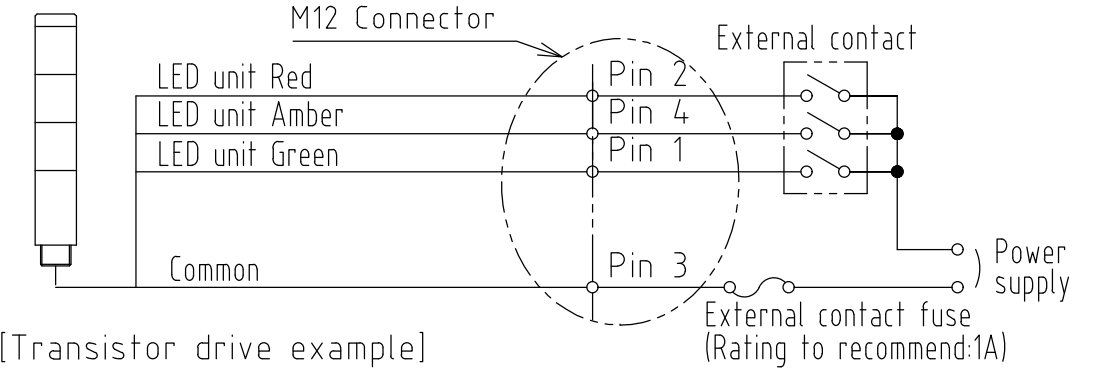
[General Specifications]

Model	3 tiers	MP-302C
	2 tiers	MP-202C
	1 tier	MP-102C
UL Registered Model		MP-02C
Rated Voltage		24V DC (Non-polar)
Operating Voltage Range		Rated Voltage $\pm$ 10%
Signal Wire Current	Typ.	Per Unit
		Red:28.6mA    Amber:28.6mA    Green:17.1mA
	Max.	Per Unit
		Red:32.2mA    Amber:32.2mA    Green:21.4mA
Operating Ambient Temperature		-20°C to +60°C
Operating Ambient Humidity		Less than 90% (No condensation)
Mounting Location		Indoors
Mounting Direction		Upright
Protection Rating		IP65 (IEC 60529)
	Environmental Condition	Upright
Vibration Resistance		JIS C 60068-2-6 Total amplitude 0.3mm p-p (10 to 57.5Hz), Acceleration 19.6 m/s <sup>2</sup> (57.5 to 150Hz)
Insulation Resistance		More than 1M $\Omega$ at 500VDC between live part and non-current carrying metallic part
Withstand Voltage		500VAC applied for 1min between live part and non-current carrying metallic part without breaking insulation
Luminous Intensity		Red:500mcd    Amber:650mcd    Green:1600mcd
Mass (Tolerance $\pm$ 10%)		MP-102C:0.24kg    MP-202C:0.26kg    MP-302C:0.28kg
Conformity Standards		RoHS Directive (EN IEC 63000) EMC Directive (EN 61000-6-4, EN 61000-6-2)
Remarks	<p>Conditions of UL acceptability:</p> <ul style="list-style-type: none"> <li>• For use on a flat surface of a Type 1 Enclosure</li> <li>• Use Class 2 power supply.</li> </ul> <p>Recommended cable:</p> <ul style="list-style-type: none"> <li>• XS2F-D421-□80-F (OMRON)</li> </ul> <p>UL Recognized Component (File No.E215660)  Conforms to the CE Requirements  Conforms to the UKCA Requirements</p>	

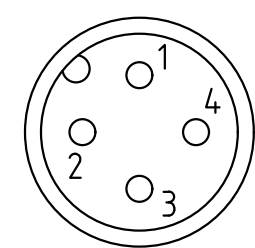
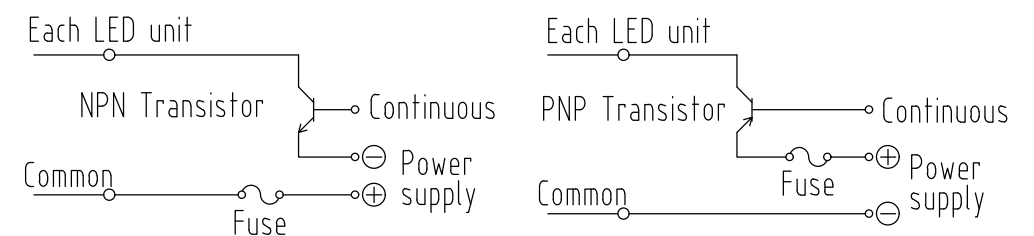


指定公差 General tolerance		角度公差 ±[°] Angular tolerance ±[°]		寸法公差 ±[mm] Dimensional tolerance ±[mm]					図番 Drawing No. MP-302C-W18		ページ Page 2/2	
短辺長さ Length of short side	~	~	~	6	30	120	300	1000	改訂 Rev.	年月日 Date	改訂履歴 Revisions	
精	1	0.5	0.3	0.1	中	0.1	0.3	0.5	0.7			
粗	3	1.5	1	0.5	粗	0.3	0.5	1	1.2			

[Wiring example]



[Transistor drive example]



PIN NO.	COLOR OF LED UNIT
1	GREEN
2	RED
3	(COM)
4	AMBER

M12 CONNECTOR  
PIN CONFIGURATION

9	M12 CONNECTOR	1	XS2M-D421 OMRON
8	HEXAGON NUT	1	SUM,M22 P1.5 MFZn(Trivalent chromate)
7	FLAT WASHER	1	SPCC,22 t=2 MFZn(Trivalent chromate)
6	WATERPROOF SHEET	2	CR sponge Black
5	NAMEPLATE	1	Polyester film
4	MAIN BODY	1	ABS resin Silver paint
3	O-RING	Stack+1	Silicone rubber Gray
2	LED UNIT	Stacks	Lens part:SAN resin Red, Amber,Green
1	HEAD COVER	1	ABS resin Silver paint
番号 No.	部品名 Part Name	数量 Qty.	記事 Remarks

機種 Model	MP-□02C	特注 No. S.P.No.	-	図名 Name	Outer Dimensions Drawing		
品目コード Part No.	-	尺度 Scale	1:2	三角法 3rd Angle P.	単位 Unit	mm	株式会社 パトライト PATLITE Corporation