

Drawing No.	Rev.	Page
LR-5M2-W18	F	1/10

SPECIFICATIONS

Product Name: Signal Tower

Model: LR□-□M2□□□W

PATLITE Corporation

SPECIFICATIONS

1. General Specifications

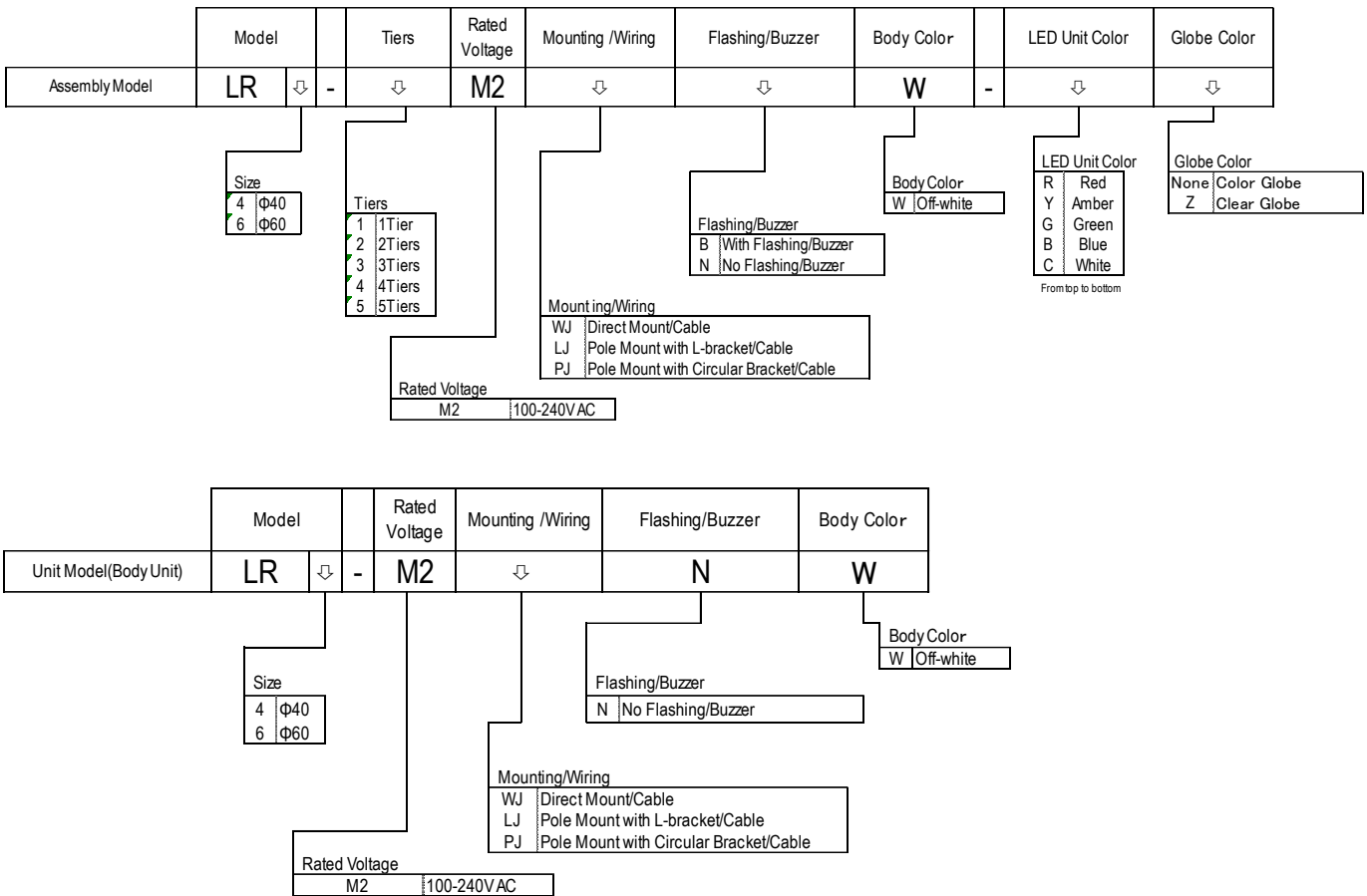
Model		LR□-□M2□□□W			
Rated Voltage		100-240V AC (50/60Hz)			
Operating Voltage Range		90-250V AC (50/60Hz)			
Signal Wire Current (Per Unit)	Typ.	LED Unit : 40mA Buzzer Unit : 40mA (※1)			
	Max.	LED Unit : 45mA Buzzer Unit : 250mA (※1)			
Inrush Current	Power Supply Wire	at 25°C : 25A/ Less than 2ms (Cold-start) at 50°C : 50A/ Less than 2ms (Cold-start)			
	Signal Wire	none			
Rated Power Consumption (Per Unit)	Typ.	LED Unit : 1.5W Buzzer Unit : 1.5W (※1)			
	Max.	LED Unit : 1.8W Buzzer Unit : 1.8W (※1)			
Standby Power Consumption		LED Unit : none			
		Buzzer Unit : 0.2W			
		Body Unit : 0.2W			
Operating Ambient Temperature		-20°C ~ +50°C			
Operating Ambient Humidity		Less than 90% RH (No Condensation)			
Storage Ambient Temperature		-30°C ~ +60°C			
Storage Ambient Humidity		Less than 90% RH (No Condensation)			
Mounting Location		Indoor Only			
Mounting Direction		Upright			
Protection Rating		IP65(IEC 60529)(※2) / NEMA TYPE 4X,13			
Environmental Condition		Upright			
Insulation Resistance		More than 1MΩ at 500VDC Between live part and non-current carrying metallic part			
Withstand Voltage		1500VAC applied for 1min Between live part and non-current carrying metallic part without breaking insulation			
Flashing Rate		60±2 Flashes Per Minute			
Buzzer Sound /Typical Frequency	No.1	Rapid intermittent beep / 3378Hz	No.2	Continuous beep sound / 3378Hz	
	No.3	Rapid Hi-Lo / 2016Hz&3012Hz	No.4	Sweep sound / 1000Hz-4032Hz	
Setting		Depending on DIP Switch Settings Refer to the 6.Buzzer Pattern Set-up			
Outer Dimensions		Refer to the 3.Outer Dimensions			
Conformity Standards		UL 508, CSA-C22.2 No. 14 EMC Directive (EN 61000-6-4, EN 61000-6-2) RoHS Directive (EN IEC 63000) FCC Part 15 Subpart B Class A KC (KN 61000-6-4, KN 61000-6-2)(※3) Low Voltage Directive(IEC/EN60947-5-1,EN62471)(※3)			
Remarks		(※1)Environmental Condition : Buzzer sound No.2 Continuous beep sound			
		(※2)LJ Type IP54			
		(※3)Except LJ Type			
		Due to the characteristics of the LED elements, a variation in difference of the color tone and brightness of every product may occur			
		UL Recognized Component (File No.E215660)			

LR-5M2-W18F-2_10

Mass (Tolerance ±10%)	LR4	WJ	(LED Unit) + [Buzzer Unit]	
		LJ	0.25kg + (0.035kg)×Tires + [0.035kg]	
		PJ	0.54kg + (0.035kg)×Tires + [0.035kg]	
	LR6	WJ	0.44kg + (0.035kg)×Tires + [0.035kg]	
		LJ	0.32kg + (0.06kg)×Tires + [0.06kg]	
		PJ	0.6kg + (0.06kg)×Tires + [0.06kg]	
Sound Pressure Level	LR4	Typ.85dB	Sound Reduction Approx. -10dB Depending on DIP Switch Settings Refer to the 6.Buzzer Pattern Set-up	
	LR6	Typ.88dB		
Environmental Condition		Buzzer sound No.4 was measured from the total circumference of the Buzzer Unit at 1m		
LR-5M2-W18F-3_10				

2. Model

2.1.1 Model Number Configuration



2.1.2 Model Number Example

Assembly Model	LR4-5M2PJBW-RYGBC ● φ 40 ● LED Unit 5Tiers ● 100-240V AC ● Pole Mount with Circular Bracket/Cable ● With Flashing/Buzzer ● Off-white ● (From top to bottom) Red · Amber · Green · Blue · White
Unit Model (Body Unit)	LR6-M2WJNW ● φ 60 ● 100-240V AC ● Direct Mount/Cable ● No Flashing/Buzzer ● Off-white

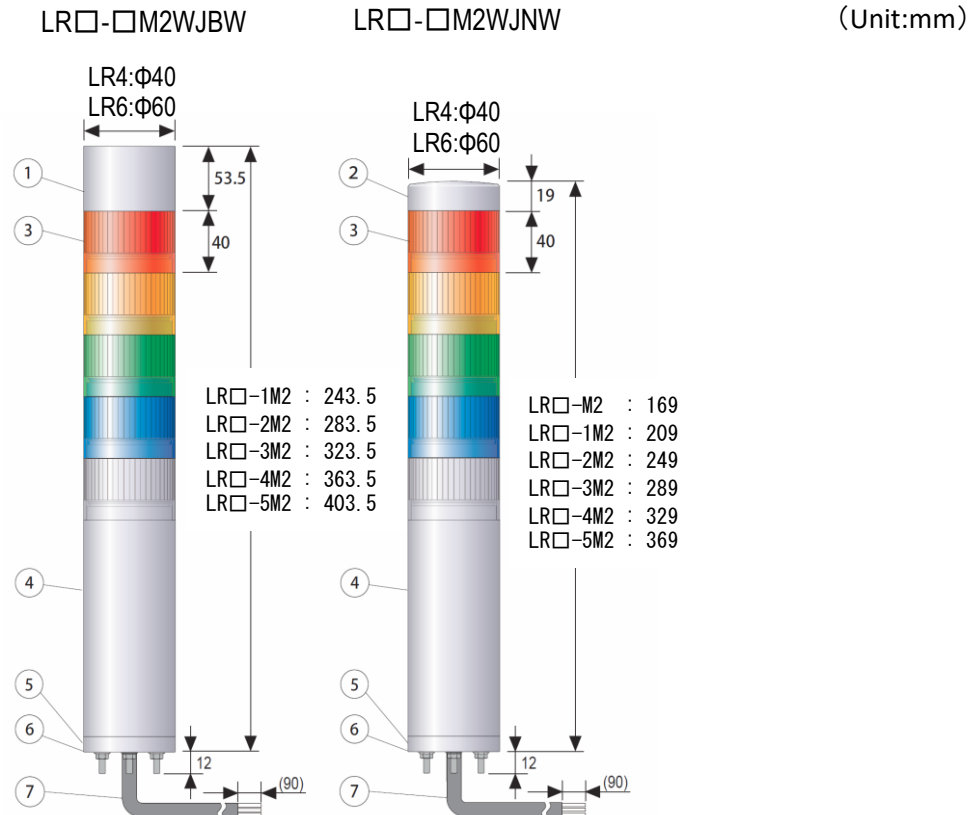
2.2. UL Registered Model

LR4	LR4-_M2WJBW , LR4-_M2WJNW , LR4-M2WJNW , LR4-_M2LJBW , LR4-_M2LJNW , LR4-M2LJNW , LR4-_M2PJBW , LR4-_M2PJNW , LR4-M2PJNW
LR6	LR6-_M2WJBW , LR6-_M2WJNW , LR6-M2WJNW , LR6-_M2LJBW , LR6-_M2LJNW , LR6-M2LJNW , LR6-_M2PJBW , LR6-_M2PJNW , LR6-M2PJNW

3.Outer Dimensions

3.1 LR□-□M2WJ□W

■ **WJ** Direct Mount with Cable



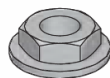
- Maximum Board Thickness : 7
- Cable : UL2464 (Φ7.5)
- Signal Wire : AWG24
- Power Supply Wire : AWG18
- Cable Length : (1300)

Number	Name	Material	UL Flammability
1	Buzzer Case	PC	V-2
2	Head Cover	PC	V-2
3	Globe	PC	V-2
4	Body	PC	V-1
5	Direct Mount Bracket	PC	V-1
6	Waterproof Packing	Silicone Rubber	-
7	Cable	PVC	VW-1

Accessory

LR4 - **WJ**

Hexagon Nut with Flange (M3)



3pcs.

LR6 - **WJ**

Hexagon Nut with Flange (M4)

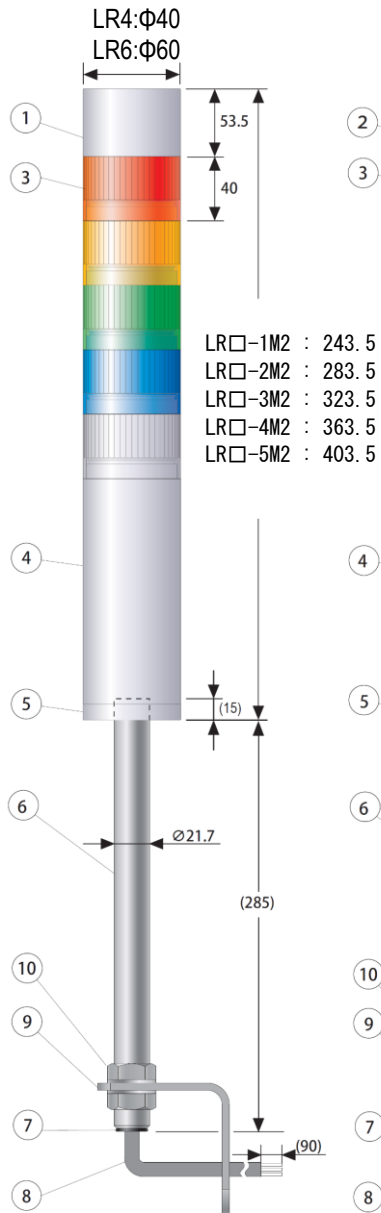


3pcs.

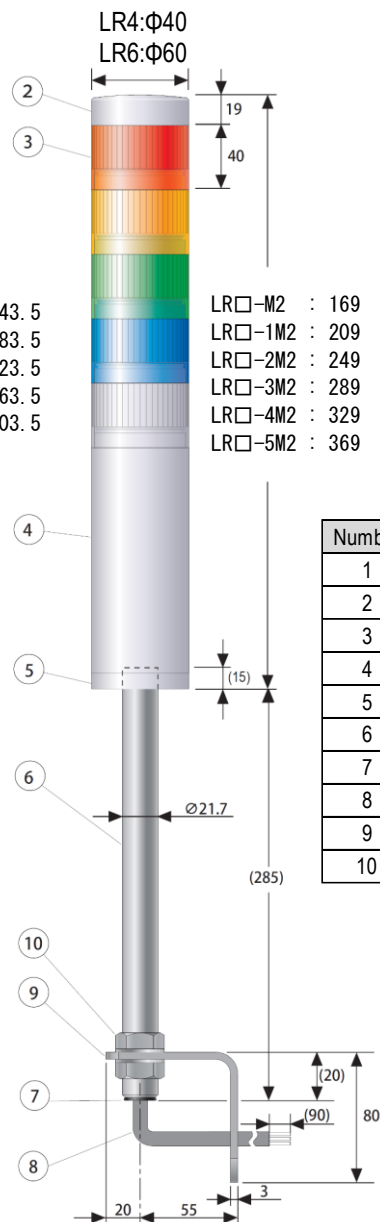
3.2 LR□-□M2LJ□W

■ **LJ** L-bracket and Pole Mount with Cable

LR□-□M2LJBW



LR□-□M2LJNW



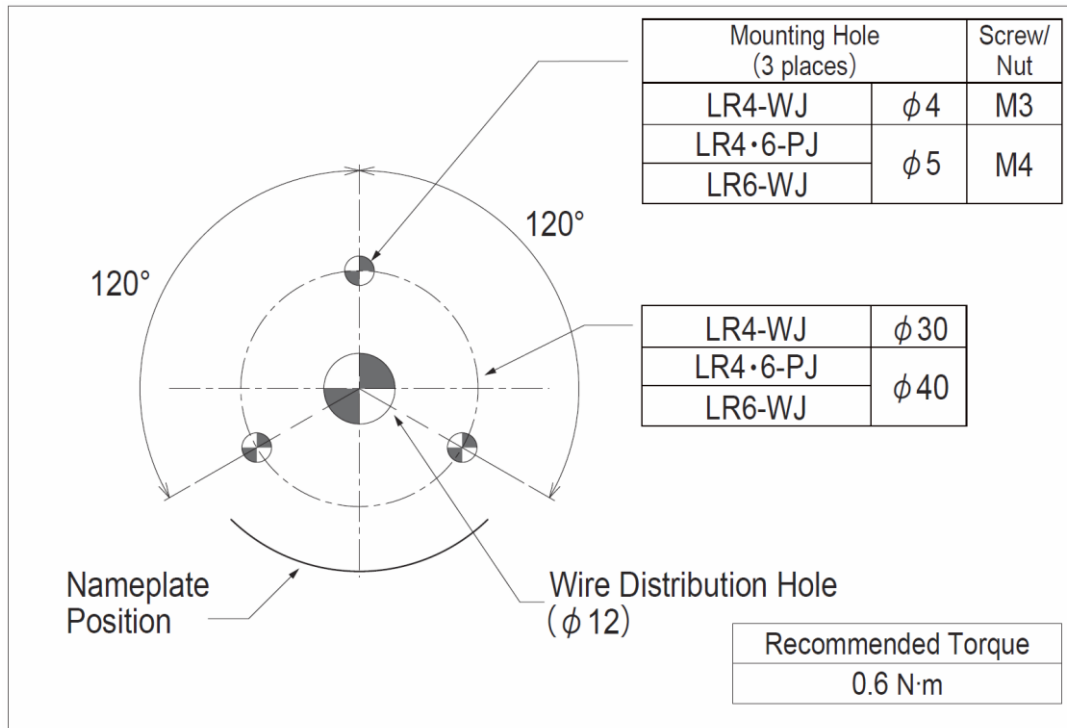
(Unit:mm)

Number	Name	Material	UL Flammability
1	Buzzer Case	PC	V-2
2	Head Cover	PC	V-2
3	Globe	PC	V-2
4	Body	PC	V-1
5	Pole Bracket	PC	V-1
6	Pole	AL	-
7	Rubber Bushing	EPR	-
8	Cable	PVC	VW-1
9	L-bracket	Steel	-
10	Hexagon Nut M22	SUM	-

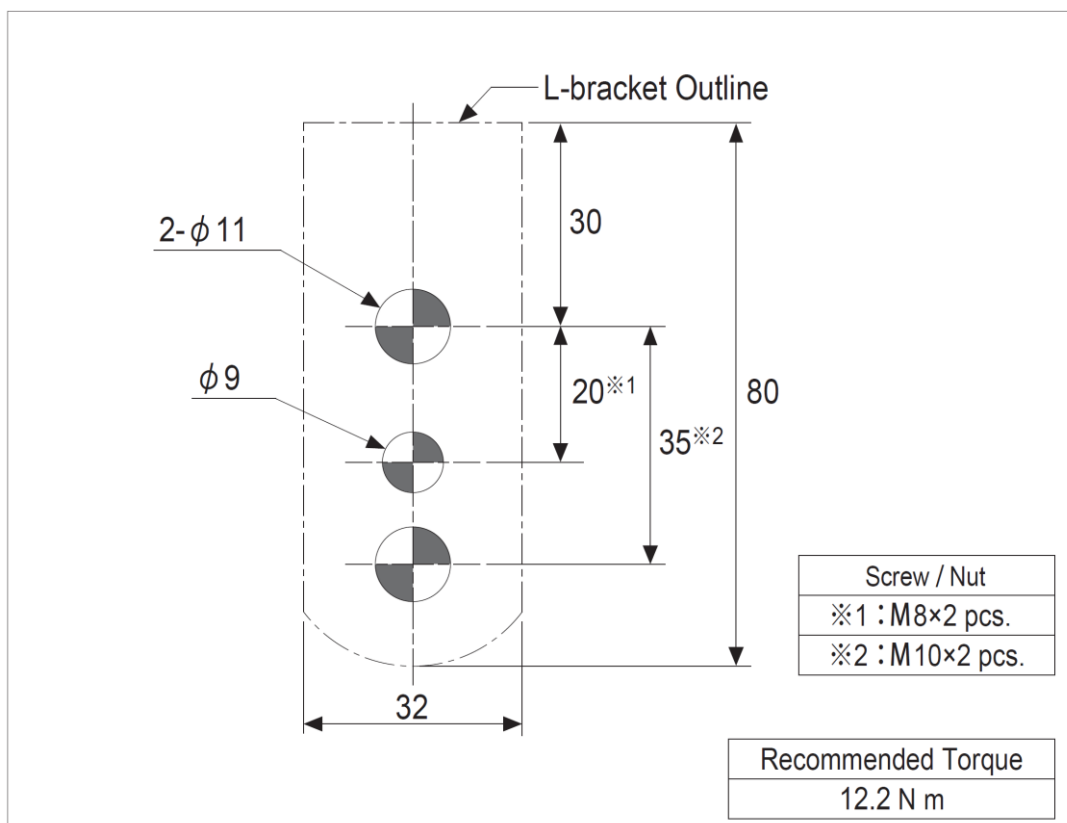
• Cable : UL2464 (Φ7.5)
Signal Wire : AWG24
Power Supply Wire : AWG18
Cable Length : (1000)

4. Mounting Dimensional Drawing

4.1 WJ · PJ Mounting Dimensional Drawing (Unit : mm)

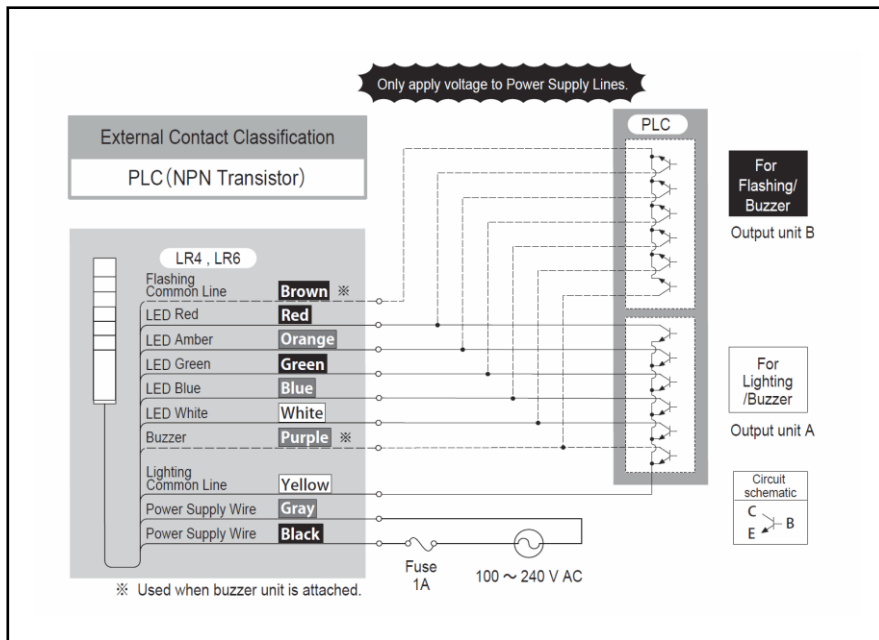
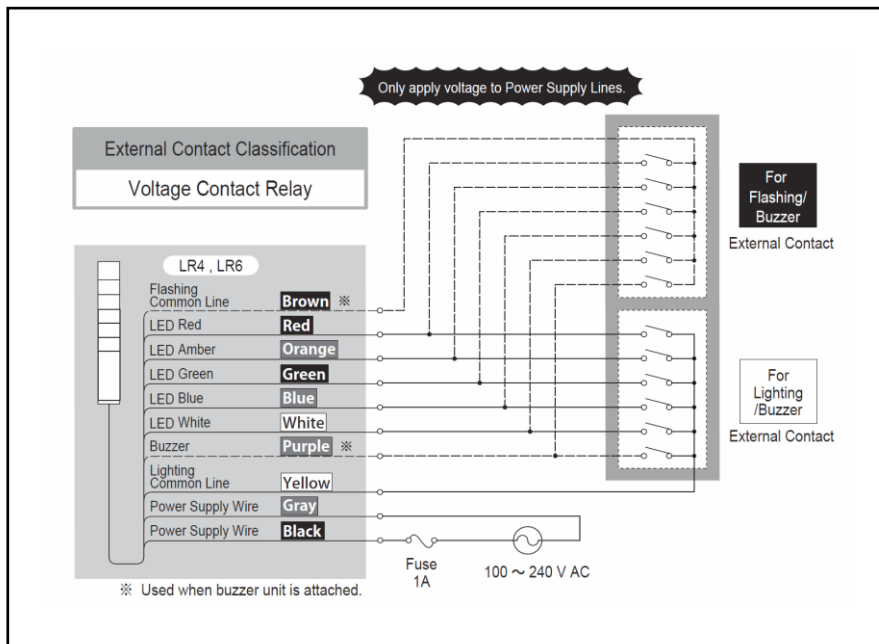
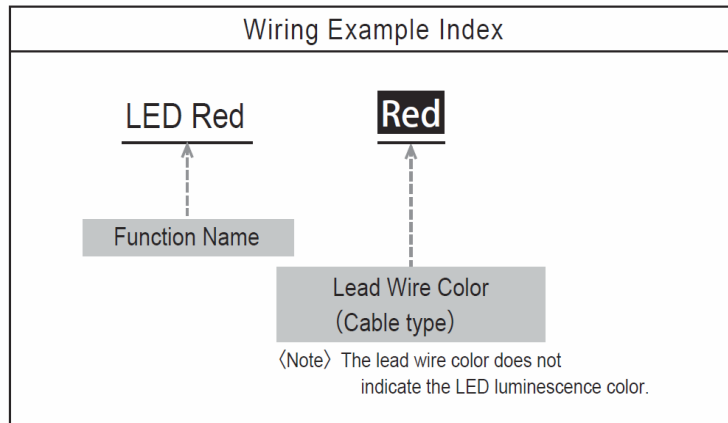


4.2 LJ Mounting Dimensional Drawing (Unit : mm)



5.Wiring Diagram

5.1 Wiring Example



5.2 External Contact Capacity

Is : Current Capacity Vs : Withstand Voltage IL : Leakage Current

	Recommended contact capacity
LED Unit (1 Tier)	$I_s \geq 100\text{mA}$ $V_s \geq 35\text{V DC}$
Buzzer	$I_s \geq 300\text{mA}$ $V_s \geq 35\text{V DC}$
Power Supply	Inrush current or more contacts
Leakage Current	$I_L \leq 0.1\text{mA}$

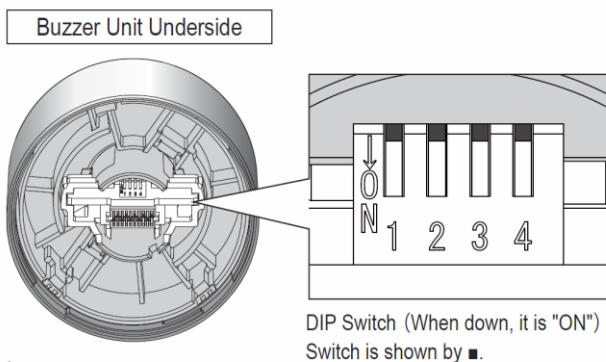
■ Recommended Fuse

Fuse Rated Current	250 V / 1 A (5x20mm Fast-Acting Glass Body Cartridge Fuse)
--------------------	---

6. Buzzer Pattern Set-up

The **B** Flashing/Buzzer type includes a set up for four different patterns and sound reduction.

Set up the preferred pattern, using the DIP Switch after removing the buzzer unit.



■ Setup Table

Buzzer Sound	DIP Switch		Sound Pattern
	1	2	
No.1	OFF	OFF	Rapid Intermittent Beep
No.2	ON	OFF	Continuous Beep Sound
No.3	OFF	ON	Rapid Hi-Lo
No.4	ON	ON	Sweep Sound

DIP Switch	Volume
3 OFF	Normal
ON	Sound Reduction

〈Note〉 Do not use DIP Switch 4.
It is set to "OFF" at all times after factory shipments.