

BDV

Voice Annunciator



87 dB at 1m

15 Channels (Binary)

63 Seconds

IP54 (Upright Only)

80

NPN
Open-collector

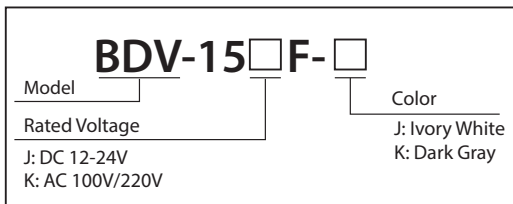


Excellent sound quality with MP3 playback! This panel-mounted MP3 voice annunciator uses SD cards*, allowing messages to be changed easily. (*Recommended: SDV-2GP)

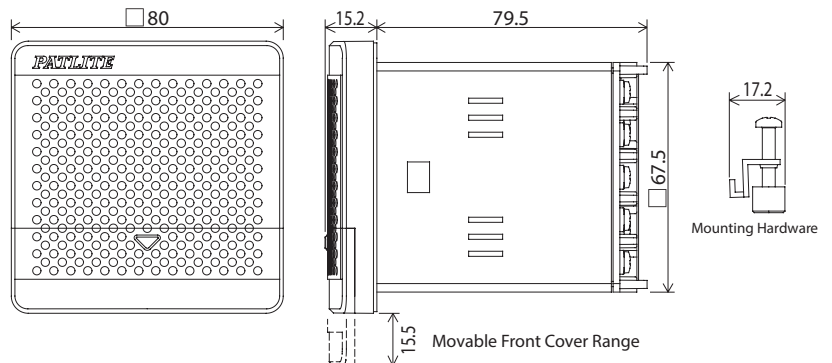
FEATURES

- Only Flush-mounting style available.
- Able to produce a loud sound of up to 87 dB (at 1m) despite its compact size
- A volume control on the front panel provides an easy way to adjust the sound volume.
- The use of an SD card allows message changes without uninstalling the device.
- Environmentally friendly since the unit complies with the EU RoHS Directives.
- Several playback modes are available for various applications.
- Includes binary input as a standard option for selecting up to 15 messages.
- Supports input selection using NPN open-collector transistor.
- The unit complies with EU Directives and includes the CE mark (BDV-15JF only)
- Two colors are available for selecting the best color match for the installation.
- Protection rating: IP54 (only the front panel when flush-mounted)

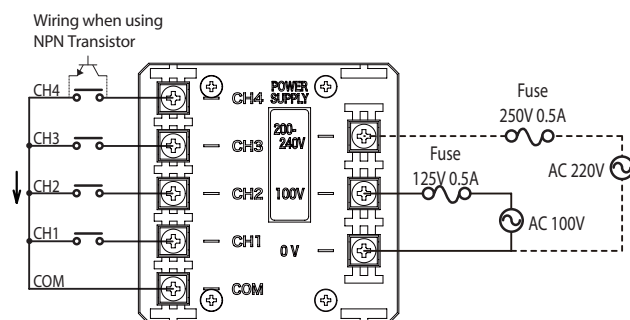
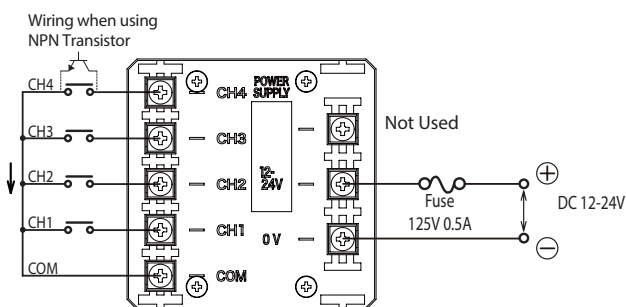
How to Order



Dimensions (Unit: mm)



Wiring Diagram



Playback Modes

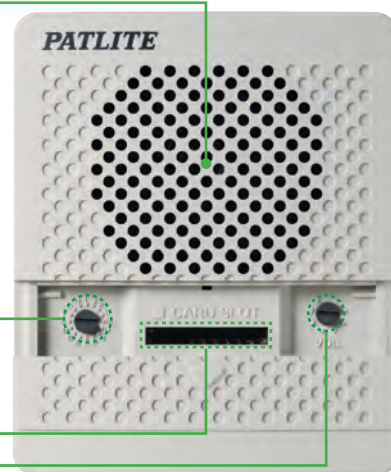
Mode Selector Switch

Several playback modes for a combination of applications.

A	Bit Input Mode	Plays back up to 4 messages using Channels 1 to 4.
B	Binary Input Mode	Plays back up to 15 messages using Channels 1 to 4.
C	Bit Input/Volume Reduction Mode	Plays back up to 3 messages using Channels 1 to 3. When Channel 4 receives an input, the volume is reduced by about -10dB.
D	Binary Input/Volume Reduction Mode	Plays back up to 7 messages using Channels 1 to 3. When Channel 4 receives an input, the volume is reduced by about -10dB.
E	Bit Input/Priority Message Playback Mode	Plays back up to 7 messages using Channels 1 to 3. If a message input occurs during playback of another message, the message will stop and allow the input message to play back.
F	Binary Input/Priority Message Playback Mode	Plays back up to 15 messages using Channels 1 to 4. If a message input occurs during playback of another message, the message will stop and allow the input message to play back.
G	Bit Input/Hold Message Playback Mode	Plays back up to 4 messages using Channels 1 to 4. As long as the input is held on, the message is played back, once the input is removed, the message playback stops.
H	Binary Input/Hold Message Playback Mode	Plays back up to 15 messages using Channels 1 to 4. As long as the input is held on, the message is played back, once the input is removed, the message playback stops.
I-P	Test Playback Mode	Plays back Message No. 1

Up to 87dB (at 1m)

Despite its slim appearance, it is able to produce a maximum of 87dB (at 1m). (Actual sound level will depend on sound type and surrounding operating conditions.)



Volume Control

The volume is easily accessible from the front for adjustment.

Memory Card Slot

With an SD Card, messages can be changed while the unit is still mounted.

Options

PATLITE Playlist Editor 2 (Free Download)

SD Card (2 GB) SDV-2GP



(OS: Windows® 2000/XP/Vista/Windows 7/Windows 8)

- > The new PATLITE Playlist Editor 2 is required to change the audio message data for this product.
- > The SD Card does not contain any data.

Specifications

Model	Rated Voltage	Operating Voltage Range	Power Consumption	Sound Level (Max.)	Voice File	Operating Temperature Range	Maximum Playback Time	No. of Playback Inputs	Protection Rating	Mass
BDV-15JF	DC 12-24V	DC 10.8V - 26.4V	4W	87dB* (at 1m)	MPEG- Audio Layer (MP3) Standard Bit Rate: 64kb/s Fs=44.1kHz	-10 - +50°C (RH less than 85%)	63 sec.	Bit: 4 Binary: 15	IP54 (Panel Mount)	220g
BDV-15KF	AC 100/220V	AC 100V ±10% AC 220V±10%	5W							340g

Notes:

- Actual sound level will depend on sound type and surrounding operating conditions.
- MPEG Layer-3 audio coding technology licensed from Fraunhofer IIS and Thomson Licensing