

# SPECIFICATIONS

[General Specifications]

Model	5 tiers	LCS-502A
	4 tiers	LCS-402A
	3 tiers	LCS-302A
	2 tiers	LCS-202A
	1 tier	LCS-102A
UL Registered Model		LCS- 02A
Rated Voltage		24VDC / 24VAC (50/60Hz)
Operating Voltage Range		Rated Voltage ±10%
Signal Wire Current	Typ.	Per Unit
		Red:27.2mA Amber:27.2mA Green:15.2mA Blue:15.2mA White:15.2mA
	Max.	Per Unit
		Red:34.2mA Amber:34.2mA Green:19.4mA Blue:19.4mA White:19.4mA
Operating Ambient Temperature		-30°C ~ +60°C
Operating Ambient Humidity		Less than 90% (No condensation)
Storage Ambient Temperature		-35°C ~ +65°C
Storage Ambient Humidity		Less than 90% (No condensation)
Mounting Location		Indoors
Mounting Direction		Upright
Protection Rating		IP54 (IEC 60529)
Vibration Resistance		19.6m/s <sup>2</sup> (JIS C 0911-1984(30Hz))
Insulation Resistance		More than 1MΩ at 500VDC between the terminals and the chassis
Withstand Voltage		500VAC applied for 1min between terminals and chassis without breaking insulation
Luminous Intensity		Red:1000mcd Amber:1000mcd Green:810mcd Blue:210mcd White:3300mcd
Mass (Tolerance ±10%)		1 tier:0.42kg 2 tiers:0.45kg 3 tiers:0.48kg 4 tiers:0.51kg 5 tiers:0.54kg
Outer Dimensions		Refer to the Outer Dimension Drawing
Conformity Standards		EMC Directive (EN 61000-6-4, EN 61000-6-2) RoHS Directive (EN 50581) UL 508, CSA-C22.2 No. 14
Remarks		Conforms to the CE requirements UL Recognized Component (File No.215660)

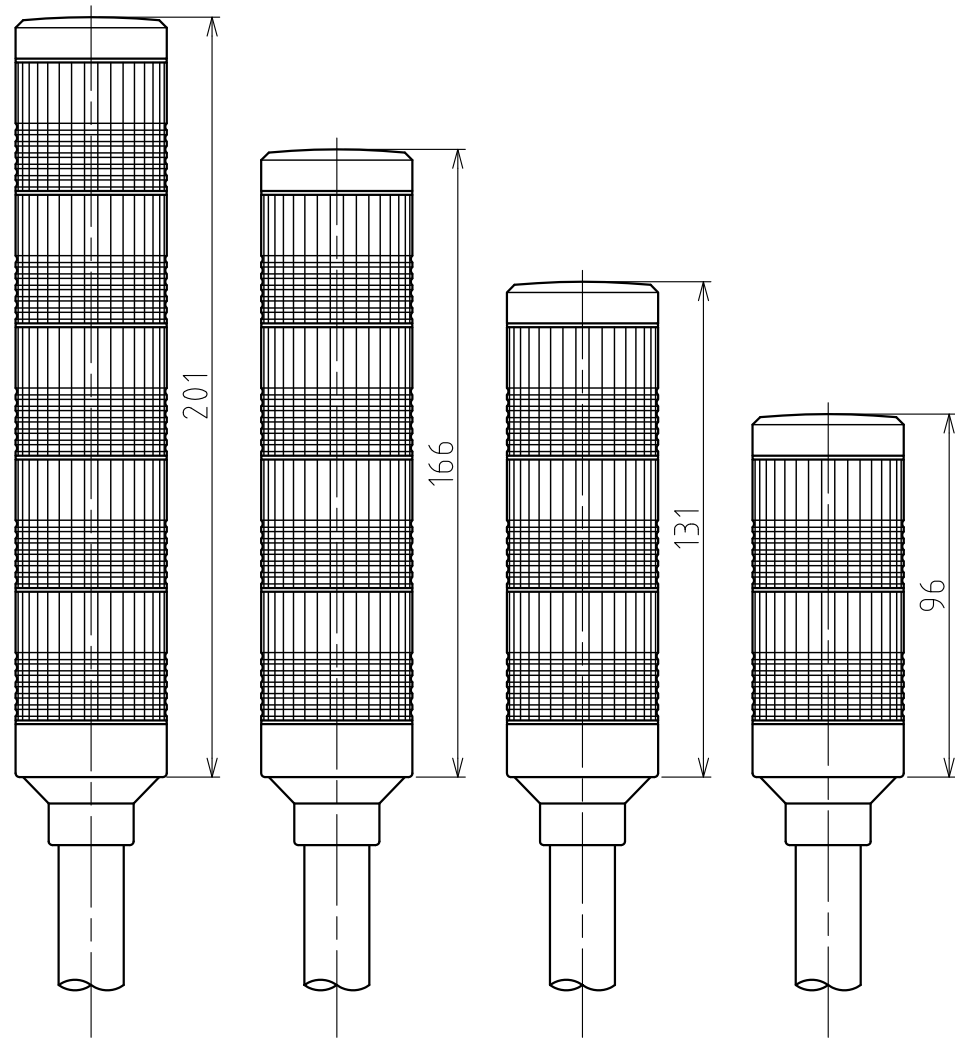
[Model No. Configuration]

LCS - I II A - III IV

<b>I</b> tiers	<b>II</b> Rated Voltage	<b>III</b> Luminous Color
1 : 1 tier 2 : 2 tiers 3 : 3 tiers 4 : 4 tiers 5 : 5 tiers	02 : AC/DC24V	R:Red / Y:Amber / G:Green / B:Blue / C:White ※Arranged in top-to-bottom order
<b>VI</b> Lens Color		
Blank : Color Lens Z : Clear Lens		

No.LCS-502A-W18A-1\_2

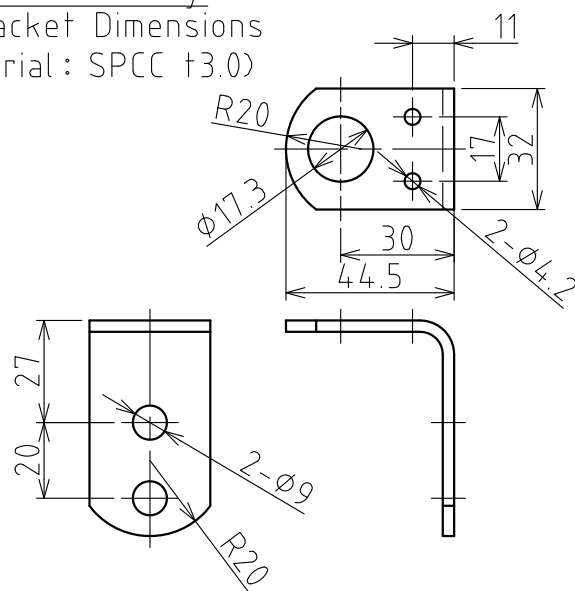
## PATLITE Corporation



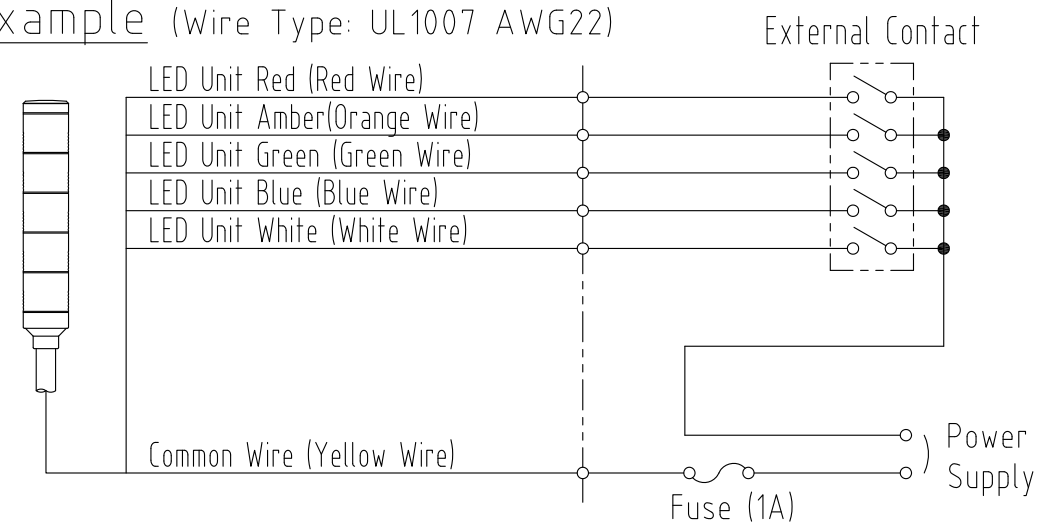
Dimensions of ※

LCS-	502A	402A	302A	202A	102A
L(mm)	514	479	444	409	374
A(mm)	485.5~500.5	450.5~465.5	415.5~430.5	380.5~395.5	345.5~360.5

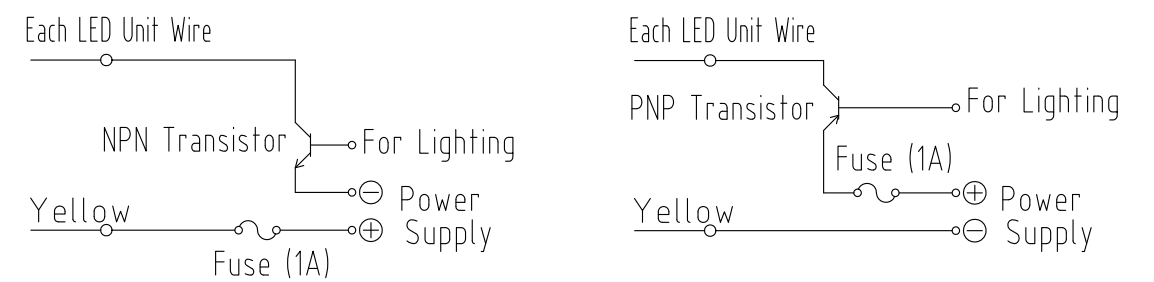
Accessory  
L-Bracket Dimensions  
(Material: SPCC t3.0)



Wiring Example (Wire Type: UL1007 AWG22)

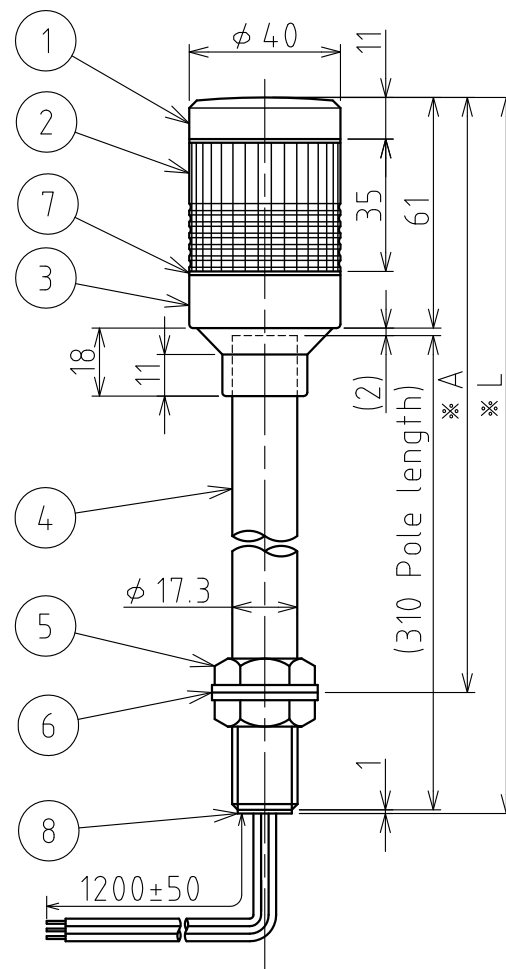


Transistor Drive



Note

1. Insulate the end each unused lead wire with insulation tape.
2. Use the fuse conforming to the rated current of the machine which the product was installed on.



(n: Number of LED Unit)

8	Cord Bushing		1	Polyamide 66 Resin (Black)	
7	O-ring		n+1	NBR (Black)	
6	Flat Washer		2	φ28×φ17.5 t2.0	
5	Hexagon Nut		2	M17, P1.5, Opposite Side 23	
4	Pole		1	SGP MFNi-Cr	
3	Bracket		1	ABS (Light Gray)	
2	LED Unit Assembly		n	LED Color: Red, Amber, Green, Blue, White Lens: AS / Reflector: ABS	
1	Head Cover		1	ABS (Light Gray)	
番号 No.	部品名 Part Name	品目コード Part No.	数量 Qty.	材料 & 寸法 & 処理 Material & Size & Finish	記事 Remarks

外観図面  
Outer Dimension Drawing

株式会社 パトライト  
PATLITE Corporation

LCS-502A-W18A-2\_2