

Drawing No.	Rev.	Page
NHL-5FB2-W18	B	1 / 8

SPECIFICATIONS

Product Name: Network Monitor Signal Tower

Model: NH□-□FB2□-□□□□□

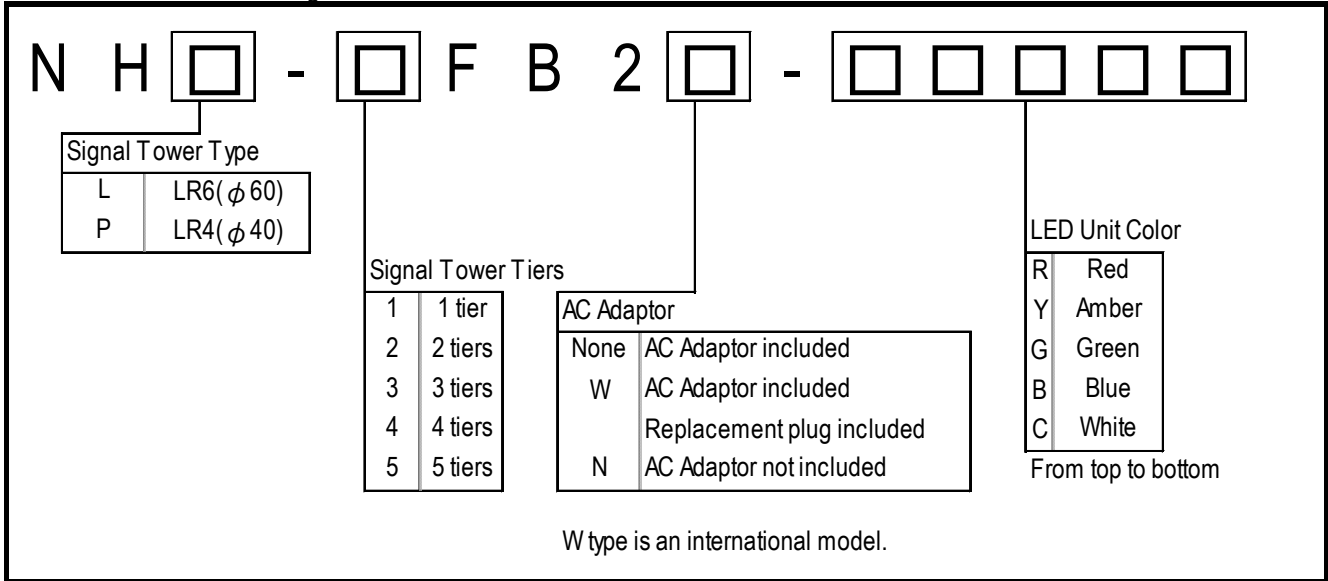
Drawing No.	Rev.	Page
NHL-5FB2-W18	B	2 / 8

1. General Specifications

Model	5 tiers	NHL-5FB2	NHP-5FB2
	4 tiers	NHL-4FB2	NHP-4FB2
	3 tiers	NHL-3FB2	NHP-3FB2
	2 tiers	NHL-2FB2	NHP-2FB2
	1 tier	NHL-1FB2	NHP-1FB2
Rated Voltage		24VDC (Main Unit)	
AC Adaptor		Input: 100VAC - 240VAC (50/60Hz) Output: 24VDC	
Operating Voltage Range		Rated Voltage $\pm 10\%$	
Rated Power Consumption	Main Unit	Standby: 2.0W Maximum: 4.0W (with AC Adaptor, 100VAC input)	
	LED Unit	1.0W (per Unit)	
Operating Ambient Temperature		0°C - +40°C (No Dew or Condensation)	
Operating Ambient Humidity		20% - +80% RH (No Dew or Condensation)	
Storage Ambient Temperature		-10°C - +60°C (No Dew or Condensation)	
Storage Ambient Humidity		20% - +80% RH (No Dew or Condensation)	
Mounting Location		Indoor Only	
Mounting Direction		Upright	
Protection Rating		IP 20	
Insulation Resistance		More than 10M Ω at 500VDC between live part and non-current carrying metallic part *1	
Withstand Voltage		1500VAC applied for 1min (10mA or less) between live part and non-current carrying metallic part without breaking insulation *1	
Mass (Tolerance $\pm 10\%$) (AC Adaptor not include)	5 tiers	900g	715g
	4 tiers	840g	680g
	3 tiers	780g	645g
	2 tiers	720g	610g
	1 tier	660g	575g
Outer Dimensions		Refer to the Outer Dimension Drawing	
Sound Pressure Level		High: 80dB or more Low: 70dB or less (at 25°C)	
Environmental Condition		Front direction from the center, at 1m, with 'A' weighting	
Communication Method (LAN)		Ethernet (Conforms to the IEEE 802.3) 10BASE-T / 100BASE-TX (Auto negotiation, Full Duplex / Half Duplex)	
Operating portion		"Volume" Switch, "Reset" Switch, "Clear" Switch, "Test" Switch	
Accessories		AC Adaptor *1, Replacement plug (5 pcs.) *2, Installation Manual, Rubber feet (4 pcs.), Adhesive seal, Support Base, Screw (3 pcs.)	
Option		Tint Film (NHL-TF, NHP-TF), Wall Bracket (NH-WST), Partition Mount Bracket (NH-PST)	
Conformity Standards		RoHS Directive (EN 50581) EMC Directive (EN 55032, EN 55024) FCC Part15 Subpart B Class B, ICES-003 Class B UL 1638, UL 464, CSA C22.2 No. 205 KC (KN 61000-6-2, KN 61000-6-4) *3 PSE Compliant AC Adaptor	
Remark		*1 : N type excluded *2 : Only W type *3 : Only N type and W type CE Marking UL/cUL Listed W type is an international model.	

2. Model

2.1. Model Number Configuration



2.2. Model Number List

NHL-1FB2-R	NHL-3FB2-RYG	NHP-1FB2-R	NHP-3FB2-RYG
NHL-1FB2-Y	NHL-3FB2N-RYG	NHP-1FB2-Y	NHP-3FB2N-RYG
NHL-1FB2-G	NHL-3FB2W-RYG	NHP-1FB2-G	NHP-3FB2W-RYG
NHL-2FB2-RY	NHL-4FB2-RYGB	NHP-2FB2-RY	NHP-4FB2-RYGB
NHL-2FB2-RG	NHL-5FB2-RYGBC	NHP-2FB2-RG	NHP-5FB2-RYGBC

3. Action Specification

3.1. Information (Main Unit)

Signal Tower	Lighting pattern for each color LED units, such as continuous lighting, flashing pattern 1, and flashing pattern 2
Flashing pattern 1	ON(500ms), OFF(500ms) (repetition)
Flashing pattern 2	ON(80ms), OFF(170ms), ON(80ms), OFF(670ms) (repetition)
Buzzer	Four kinds of buzzer sounds, such as buzzer pattern1, 2, 3, and 4
Buzzer pattern 1	ON(250ms), OFF(250ms) (repetition)
Buzzer pattern 2	ON(500ms), OFF(500ms) (repetition)
Buzzer pattern 3	ON(200ms), OFF(50ms), ON(200ms), OFF(550ms) (repetition)
Buzzer pattern 4	ON(continuity)

3.2. Information (Network)

Mail Transmission	When an event occurs, an e-mail message is transmitted to the registered address.
Number of mail address	8
Authentication protocol	POP before SMTP, SMTP_AUTH
Security	SSL, TLS, none
SNMP TRAP Transmission	When an event occurs, TRAP transmission can be executed.
Number of transmission	8
Version	v2c

SLMP Write Command	When "Clear operation" occurs, SLMP Write Command can be executed.
Number of transmission	4
Protocol	SLMP (The same format as the QnA compatible 3E and 4E frame of MC protocol) TCP / UDP

4. Function Specification

4.1. Main Unit Control Function

RSH Command	Controllable with RSH Command
HTTP Command	Controllable with HTTP Command
Socket Communication	Controllable with PNS Command and PHN Command
SNMP Command	Controllable with SNMP "set" Command
Version	v1 / v2c
"Clear" Switch	Clear operation is possible with "Clear" Switch of the main unit.

Command	Controllable Action				
	Signal Tower	Buzzer	e-mail	TRAP	SLMP
RSH Command	✓	✓	✓ *1	✓ *1	-
HTTP Command	✓	✓	-	-	-
Socket	PNS	✓	-	-	-
	PHN	△ *2	△ *3	-	-
SNMP Command	✓	✓	-	-	-
"Clear" Switch	✓	✓ *4	✓	✓	✓

*1 : It can be used when e-mail or TRAP is set to "Active" in the RSH Command Configuration.

*2 : Signal Tower "Red", "Amber" and "Green", and Flashing pattern 1

*3 : Buzzer pattern1 and Buzzer pattern 2

*4 : It is possible to stop only the buzzer while maintaining the state of Signal Tower.

4.2. External Monitoring Function

Ping Monitoring Function	Network abnormality detection by sending Ping network devices
Number of Monitoring	24
Monitoring Cycle	60 seconds (Fixed) : 12 Devices 1 - 600 seconds (Variable) : 12 Devices
Sending Count	The number of times to detect can be set from 1 to 30.
Number of Sending	The number of sending Ping by one monitoring can be set from 1 to 3. 1 (Fixed) : 12 Devices 1 - 3 (Variable) : 12 Devices
Application Monitoring Function	External devices abnormality detection by receiving the data from them
Number of Monitoring	4
Monitoring Cycle	1 - 600 seconds
SNMP TRAP Reception Function	TRAP Reception detection
Version	v1 / v2c
Number of Reception	64
variable-bindings	2 OID per 1 TRAP Reception
SLMP Read Command	Detects the state change of the device information of the PLC
Number of Monitoring	16
Transmission Interval	10ms / 50ms / 100ms
Protocol	SLMP (The same format as the QnA compatible 3E and 4E frame of MC protocol) TCP / UDP

Monitoring	Executable action at detection				
	Signal Tower	Buzzer	e-mail	TRAP	SLMP
Ping Monitoring	✓	✓	✓	✓	-
Application Monitoring	✓	✓	✓	✓	-
TRAP Reception	✓	✓	✓	✓	-
SLMP Read Command	✓	✓	✓	✓	-

4.3. Main Unit Status Acquisition Function

RSH Command	The state of the main body can be acquired by the status acquisition command.
Socket Communication	Status acquisition available with PNS Command and PHN Command
SNMP Command	Status acquisition available with SNMP "get" Command
Version	v1 / v2c
HTTP Communication	By executing CGI, the state of the main body can be acquired in XML data format.
Web browser	Download main unit status and event log with web browser Main Unit Status : XML format file Event Log : text format file

Command	Acquisition data	
	Signal Tower	Buzzer
RSH Command	✓	✓
Socket	PNS	✓
	PHN	✓ *1
SNMP Command	✓	✓
XML format file	✓	✓

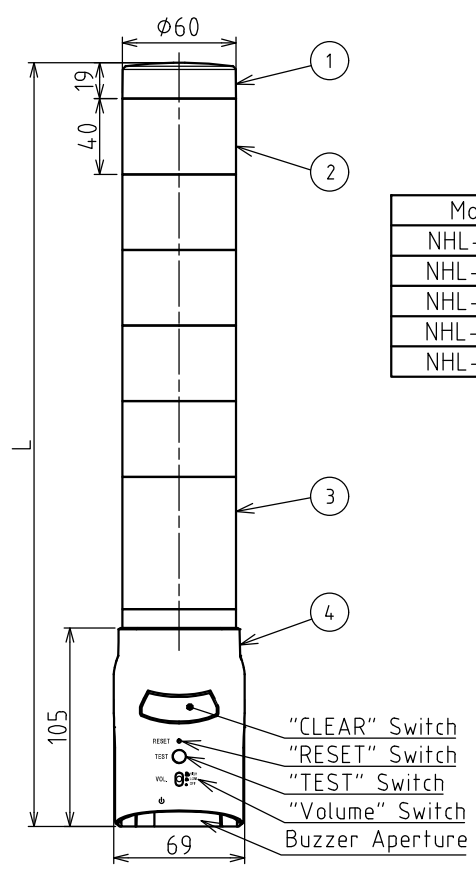
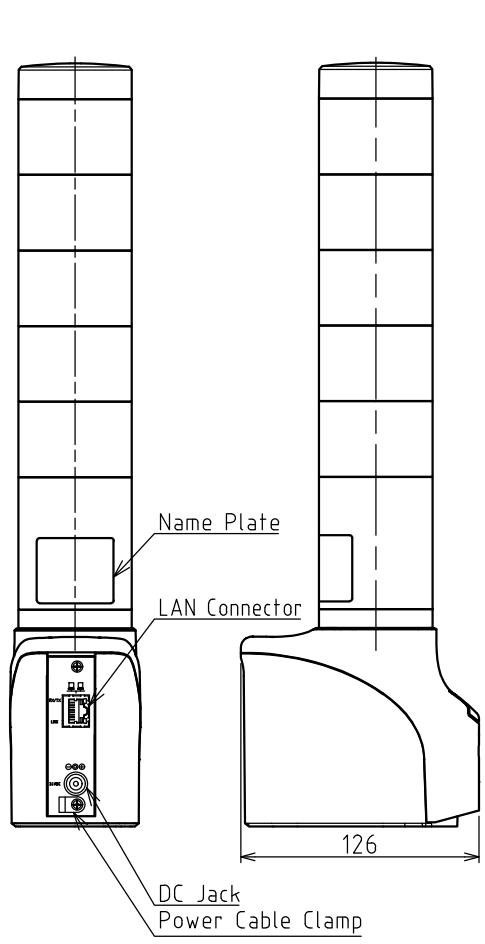
*1 : Signal Tower "Red", "Amber"and "Green",and Flashing pattern 1

*2 : Buzzer pattern 1 and Buzzer pattern 2

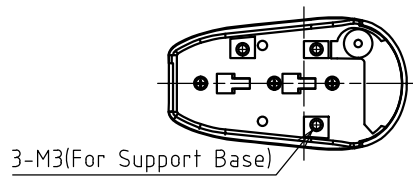
4.4. Main Unit Setting Function

Time Correction Function	The internal clock in this product can communicate with an NTP server to automatically correct the time.
Automatic Network Setting	Network setting in this product can communicate with an DHCP server to automatically set.
Standard Action Setting	This product can set lighting color of the Signal Tower after clear operation is executed.
Self-test Function	Self test of Signal Tower and buzzer is possible with test switch of the main body and RSH command.
Config Setting	Various settings of the main body can be read and written as setting file.
Main Unit Setting	Various settings of the main body can be done with a web browser.
Setting Supported languages	Japanese, English, Traditional Chinese

指定公差 General Tolerance	1 角度公差 Angular tolerance ±[°]				2 寸法公差 Dimensional tolerance ±[mm]					3 図番 Drawing No. NHL-5FB2-W18		4 改訂 Rev. B		ページ Page 6 / 8	
	短辺長 Length of short side	~	~	100	~	6	30	120	300	1000					
	精 f	1	0.5	0.3	0.1	精 f	0.05	0.1	0.2	0.4	0.6				
粗 v	3	1.5	1	0.5	中 m	0.1	0.3	0.5	0.7	1					
					粗 c	0.3	0.5	1	1.2	2					



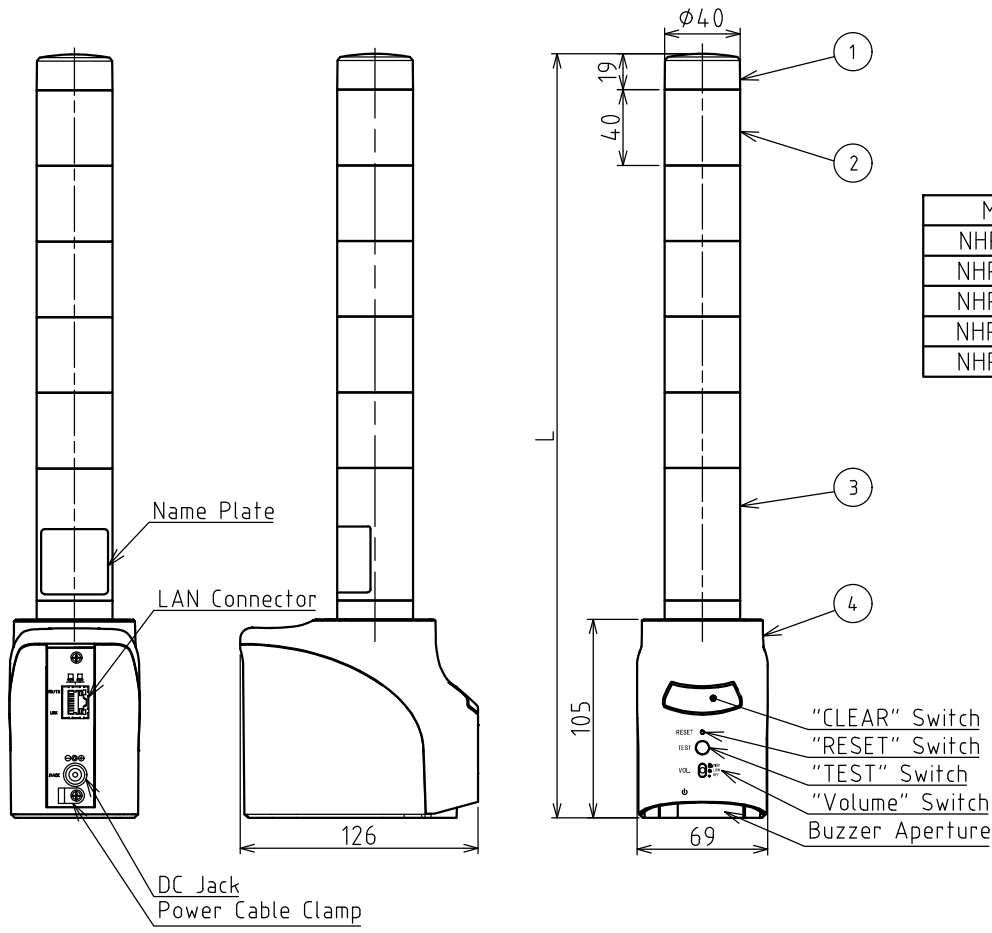
Model	L Dimension
NHL-1FB2	244
NHL-2FB2	284
NHL-3FB2	324
NHL-4FB2	364
NHL-5FB2	404



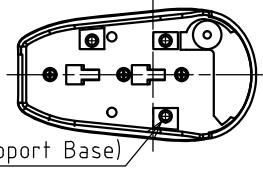
No.	Names	Material	Color
1	Head Cover	PC	Off-white
2	LED Unit	PC	Clear
3	Tower Body	PC	Off-white
4	Main Body	ABS	Off-white/Medium Gray

番号 No.	部品名 Part Name	数量 Qty.	記事 Remarks		
機種 Model	NHL-5FB2	特注No. S.P.No.	-	図名 Name	Outer Dimensions Drawing
品目コード Part No.		尺度 Scale	三角法 3rd Angle P.	単位 Unit	mm
			株式会社 パトライト PATLITE Corporation		

1	2		3		4				
指定公差 General tolerance	角度公差 Angular tolerance ±[°]			寸法公差 Dimensional tolerance ±[mm]			図番 Drawing No.	改訂 Rev.	ページ Page
	短辺長さ Length of short side			精 f			NHL-5FB2-W18	B	7 / 8
	10	50	100	6	30	120			
	1	0.5	0.3	0.1	0.05	0.1	0.2	0.4	0.6
	1	0.5	0.3	0.1	0.1	0.3	0.5	0.7	1
	3	1.5	1	0.5	0.3	0.5	1	1.2	2



Model	L Dimension
NHP-1FB2	244
NHP-2FB2	284
NHP-3FB2	324
NHP-4FB2	364
NHP-5FB2	404

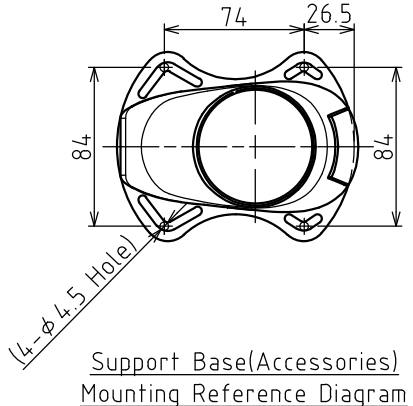
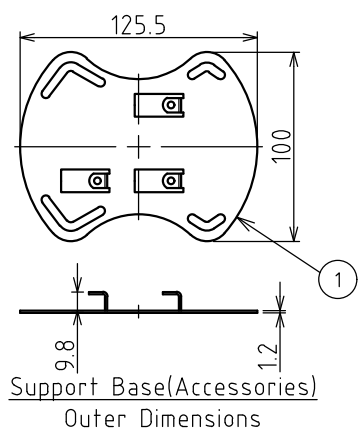


3-M3(For Support Base)

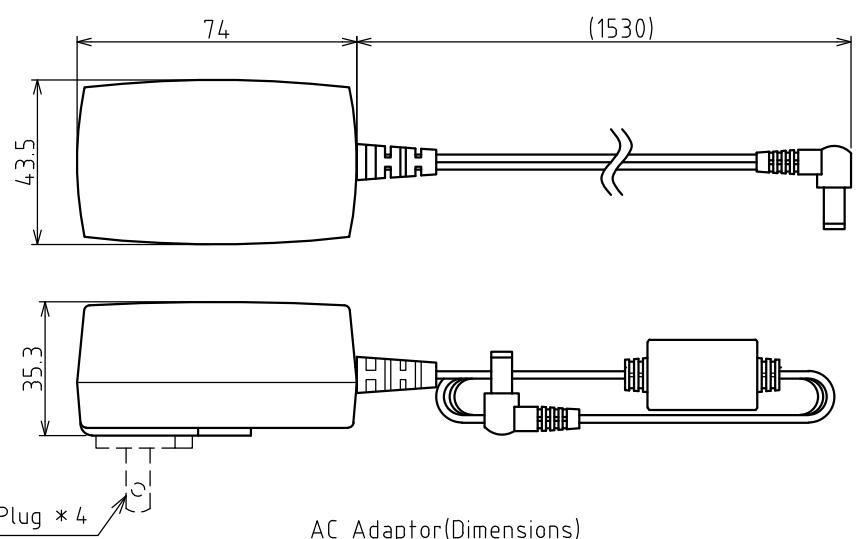
No.	Names	Material	Color
1	Head Cover	PC	Off-white
2	LED Unit	PC	Clear
3	Tower Body	PC	Off-white
4	Main Body	ABS	Off-white/Medium Gray

番号 No.	部品名 Part Name	数量 Qty.	記事 Remarks		
機種 Model	NHP-5FB2	特注No. S.P.No.	-	図名 Name	Outer Dimensions Drawing
品目コード Part No.		尺度 Scale	三角法 3rd Angle P.	単位 Unit	mm
			株式会社 パトライト PATLITE Corporation		

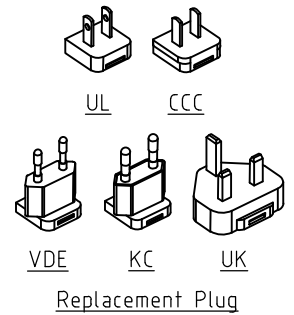
1	2		3		4						
指定 公差 General Tolerance	角度公差 Angular tolerance ±[°]		寸法公差 Dimensional tolerance ±[mm]		図番 Drawing No.	改訂 Rev.					
	短辺長 Length of short side		精 f		NHL-5FB2-W18	B					
	10	50	100	6	30	120	300	1000	ページ Page		
精 f	1	0.5	0.3	0.1	中 m	0.1	0.3	0.5	0.7	1	8 / 8
粗 v	3	1.5	1	0.5	粗 c	0.3	0.5	1	1.2	2	



No.	Part Name	Material	Color
1	Support Base	SECC	Off-white Paint



* 4	
Model(AC Adaptor)	AC Plug
None	Replacement Plug [UL] is attached
W	Replacement Plug [UL][VDE][UK][CCC][KC] included
N	AC Adaptor not included



番号 No.	部品名 Part Name	数量 Qty.	記事 Remarks			
機種 Model	特注No. S.P.No.	-	図名 Name	Outer Dimensions Drawing		
品目コード Part No.	尺度 Scale	三角法 3rd Angle P.	単位 Unit	株式会社 パトライト PATLITE Corporation		