

# LCS/LCS-U

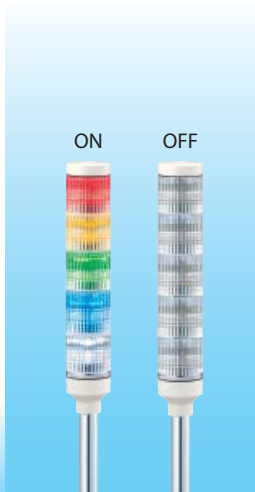
LCS/LCS-U

## Signal Tower



Silver Color Body  
Model LCS-U

Ivory-white Body  
Model LCS



When ordering the clear-lens Signal Tower type, be sure to add "Z" at the end of the part number when ordering



## Versatile LED Signal Tower, featuring high quality with low price.

### FEATURES

- PATLITE's exclusive hybrid prism-cut lens designed for enhanced visibility from any direction and distance.
- Original Dual Reflection System for enhanced light diffusion; creating bright, distinctive illumination while saving energy.
- Direct or pole mount installation.
- Color-coordinated wiring corresponding to the lens color for quick wiring and verification.
- Interchangeable LED Modules requires no re-wiring, even after installation.
- Main body made of ABS resin with superior resistance to impact and heat.
- Lens is made of superior impact resistant and light translucent AS resin.
- Available Colors are in Red, Amber, Green, Blue, and Clear/White.
- Has the CE mark and conforms to the requirements for the EC directive.
- Is a UL Recognized Component (File No. E215660).

### AVAILABLE BY SPECIAL ORDER

- Cable: Versatile and flexible 3m cable.
- Body Color: Silver (LCS-U)
- All Clear Lenses: Distinctive color recognition when operated with clear lenses (B0738 type)
- Available Colors: Red, Amber, Green, Blue, White



Dual Reflection System

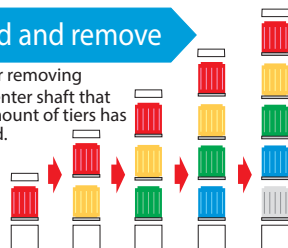
PATLITE's original dual reflection system with its exclusive hybrid prism-cut lens and 5 color LED modules creates a bright, distinctive and even illumination.



High visibility from any angle

### Easy to add and remove

- When adding or removing modules, the center shaft that matches the amount of tiers has to be purchased.



### Interchangeable LED Modules

Changeable color sequence: Easy to add/remove up to 5 colored modules even after installation.

Note: LED modules of the same color within a signal tower will light up simultaneously.



### Wiring doesn't change

- The LED Module colors correspond to the wiring, so re-wiring is not necessary.

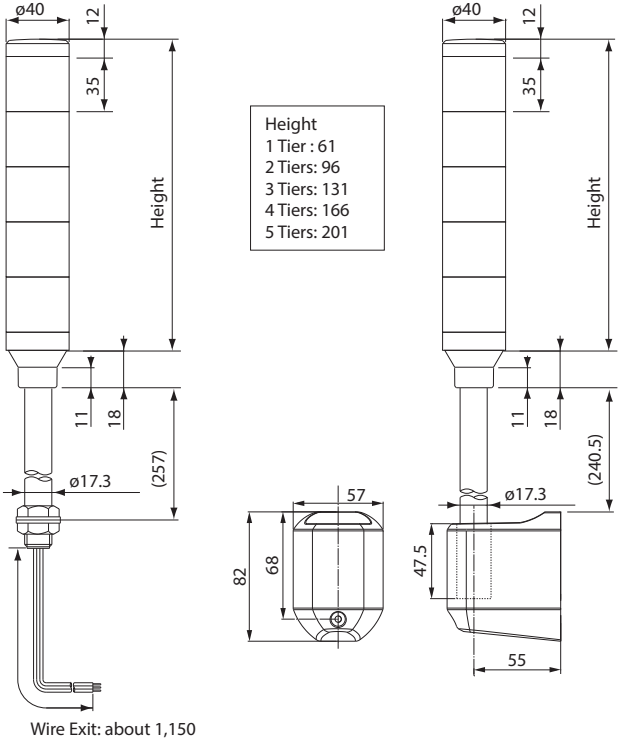
### How to Order

<b>LCS-502K- RYGBC-Z</b>	
Tiers 1~5	Lens Color Blank: Colored lens Z: Clearlens
Rated Voltage 02: AC/DC 24V	LED Color R: Red Y: Amber G: Green B: Blue C: Clear/White (Top to bottom)
Mount Blank: SZ-012 Pole Mount K: SZ-021 Pole Mount	

## Dimensions

LCS Type

LCS-K Type

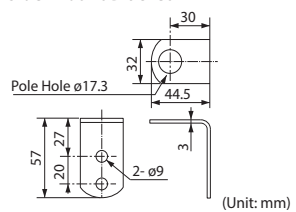


## Specifications

Stack Number	Model	Rated Voltage	Power Consumption	Mass	
				LCS	LCS-K
1 Tier	LCS-102	AC/DC 24V	0.7W	420g	540g
2 Tiers	LCS-202		1.4W	450g	570g
3 Tiers	LCS-302		2.0W	480g	600g
4 Tiers	LCS-402		2.6W	510g	—
5 Tiers	LCS-502		3.2W	540g	—

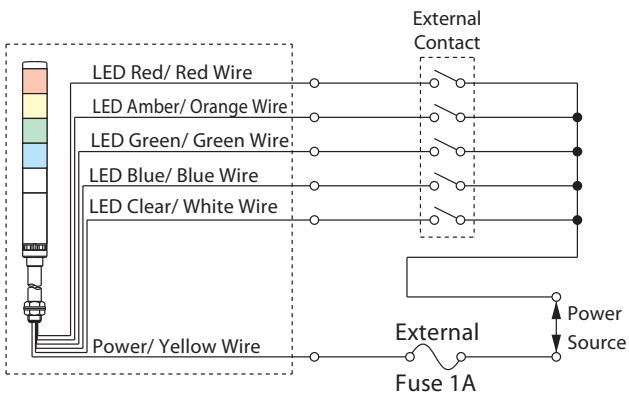


Side-Mount Bracket



## Wiring

• AC/DC 24V Lighting Type



Lead-wire color coordination table

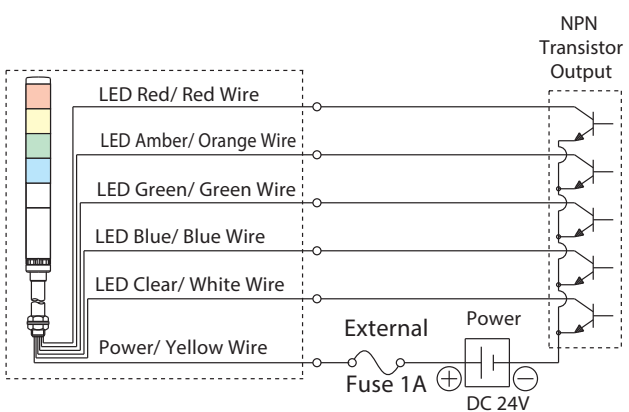
LED Unit Color	Lead Wire Color
Red	Red
Amber	Orange
Green	Green
Blue	Blue
Clear/White	White

Alarm Sounds	Lead Wire Color
Buzzer 1	Purple
Buzzer 2	Skyblue

Signal Line voltage and current per LED Module

Model	Voltage Type	Signal Line Voltage	LED		Alarm	
			Signal Line Current	Signal Line Current	Inrush Current	
			R, Y	G, B, C		
LCS	AC/DC 24V	AC/DC 24V	30mA	25mA	40mA	250mA

• DC 24V NPN Type



• DC 24V PNP Type

