

VE25 / VE100

Real-time Production Monitoring Solution



VE25-304SU
3 Row, 4 Digit Type
Digit Size : 25mm



VE100-304SU
3 Row, 4 Digit Type
Digit Size : 100mm



VE-IRU
Infrared Remote Control Unit
(Sold Separately)

*Compliant with FCC Title 47, Part 15, Subpart B

- LED
- Terminal
- 25mm/100mm
- Network

- Improve Manufacturing Productivity
- Reduce Down Time for "Kaizen"
- Ideal for Lean Manufacturing
- Real-time Production Monitoring
- Large Digital Displays
- Easy Installation

Our VE Series Real-time Production Monitoring Solution serves as a rugged, factory floor Andon system, with real-time production status indication to alert product performance to workers and supervisors. The VE Series Real-time Production Monitoring Solution is easy to install directly on operator workstations or automated machinery, and the wireless remote control unit enables easy setup. The VE Series Real-time Production Monitoring Solution comes in 2 models (25mm or 100mm character height), and it fully supports the principles of "Kaizen" (continuous improvement) to achieve a "Visual Factory", where clear and easy to understand information is quickly accessible.

FEATURES

- Available in 25mm and 100mm digit sizes.
- Production-control settings can easily be set-up with the remote control or PC (Sold Separately).
- Bright LED digits for easy viewing.
- External terminal output for adding an extra 3 color LED Signal Tower to add distinctive signaling.

• Easy Setup



Plan



Prescale



Takt-time

• Three-terminal Output

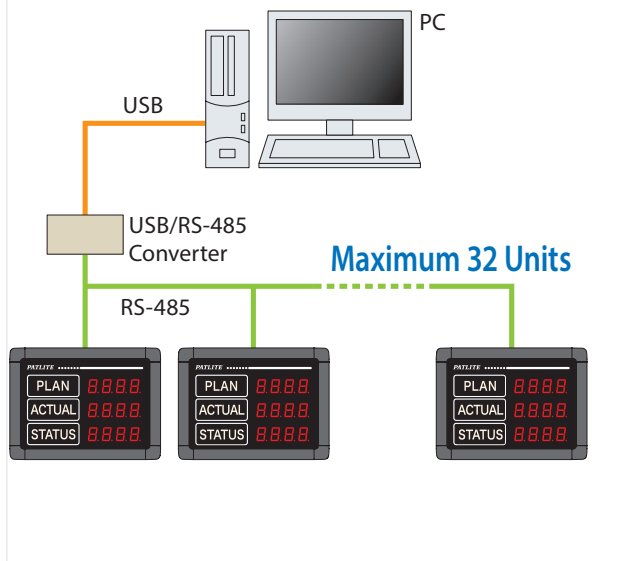


• Optional Bracket for VE-100 Available



VE-100 Brackets
(Set of 2, Sold Separately)

Serial Network Application



Stand-alone Application

Output Devices

- Beacons
- Audible Alarms
- Annunciators

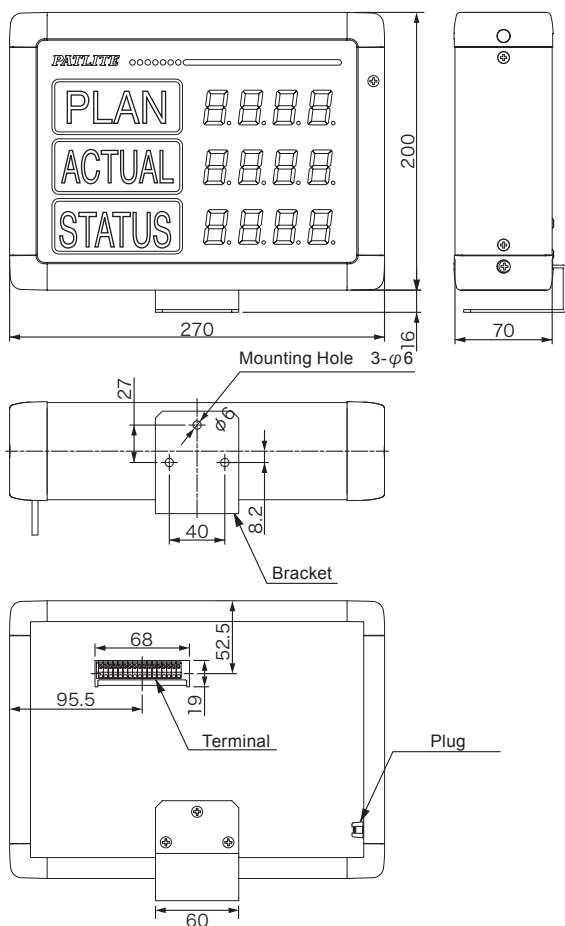
Input Devices

- Manual Switches
- Micro Switches
- Relays
- RS485 Converters



Dimensions (Unit: mm)

Model VE25-304SU



Model VE100-304SU

