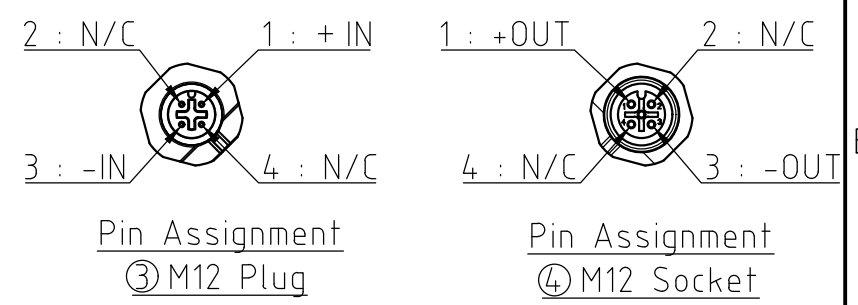
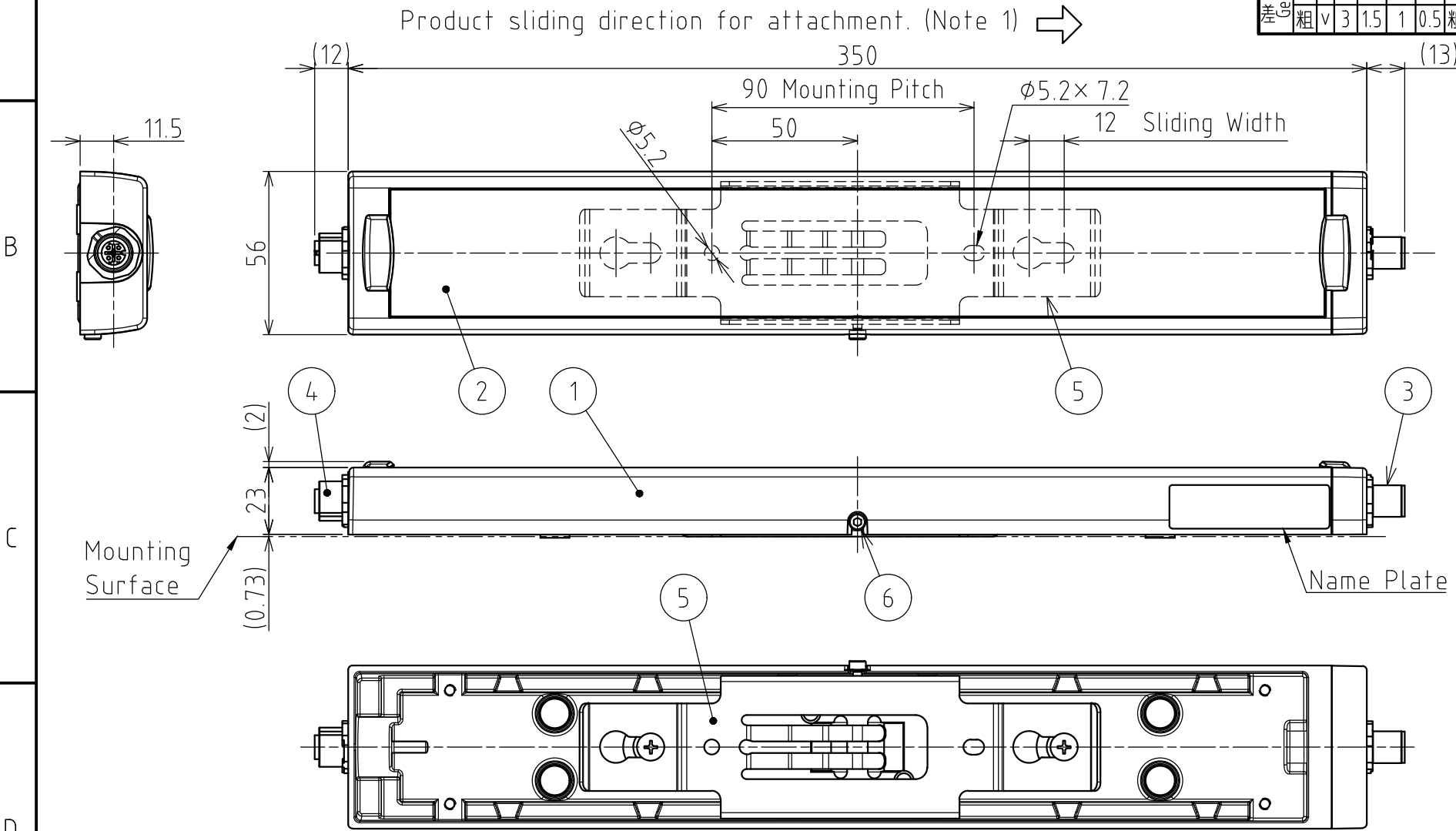


# SPECIFICATIONS

## [General Specifications]

Product Name	LED Work Light	
Model	CLK3CL-24AG	
Color Code	CD	
Luminous Color	Daylight	
Color Temperature (typ.)	6500 K	
Illuminance (typ.) (Center , at 24V DC)	1.0m	1200 lx
	2.0m	300 lx
Total Luminous Flux (typ.)	1300 lm	
Rated Voltage	24V DC (Polarized)	
Operating Voltage Range	24V DC ±10%	
Rated Current Consumption	522 mA ±10%	
Rated Power Consumption	12.5 W	
Operating Ambient Temperature	-40°C to +60°C	
Operating Ambient Humidity	Less than 90% (No condensation)	
Main Unit Material	Body: Aluminum Alloy, Lens: Tempered Glass	
Mounting Location	Indoor	
Mounting Direction	All Directions	
Protection Rating	IP66G/67G (JIS C0920) / 69K (DIN 40050 part9)	
Environmental Condition	With the Recommended cables connected (Except Cable Terminal)	
Insulation Resistance	More than 5MΩ at 500VDC between live part and non-current carrying metallic part	
Withstand Voltage	500V AC applied for 1min between live part and non-current carrying metallic part without breaking insulation	
Vibration Resistance	19.6 m/s <sup>2</sup> (JIS C 0911-1984)	
Mass (Tolerance ±10%)	600 g; Standard Bracket: 76g (Qty: 1pc.)	
Outer Dimensions	Refer to the Outer Dimension Drawing	
Conformity Standards	UL2108, CSA-C22.2 No.250.0 EMC Directive (EN 55015, EN 61000-6-2) RoHS Directive (EN IEC 63000)	
Remarks	<ul style="list-style-type: none"> <li>• Conforms to the CE requirements</li> <li>• UL Recognized Component (File No.E306141)</li> <li>• Specifications may change without notice due to continual product improvement.</li> <li>• Due to the inherent properties of the LED, color variations and hue may occur.</li> <li>• This product's illuminance may be affected when used in airtight conditions.</li> <li>• When using the Optional Daisy Link Cable, a voltage frop may occur due to the current consumption.</li> <li>• Model Number Configuration</li> </ul> <div style="text-align: center; margin: 10px 0;"> <p><b>CLK3<u>CL</u> - 24<u>AG</u> - <u>CD</u></b></p> </div> <ul style="list-style-type: none"> <li>● Luminous Color CD : Daylight</li> <li>● Main Unit Material AG : Body: Aluminum Alloy Lens: Tempered Glass</li> <li>● Connector Specifications CL : M12 Daisy Link</li> </ul>	



- Note**
- Attachment of the product is done by sliding it into the Standard Bracket. (Refer to figure on the right.) It is also possible to rotate the Standard Bracket 180 degrees to slide it in the opposite direction.
  - An option bracket is also available. Part Number: CLK-001,SZ-320KS (Refer to the bracket specifications for details.)
  - For wiring, it is recommended to use the Recommended Cable. (Refer to Table1. Recommended Cable)
  - When linking together, be sure to use it within the maximum number of links. (Refer to Table2. Maximum Links)

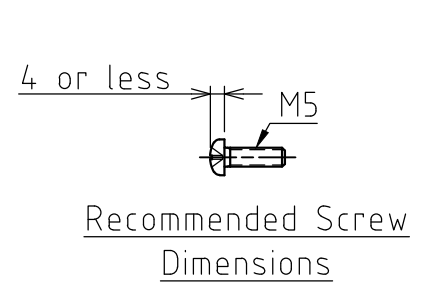
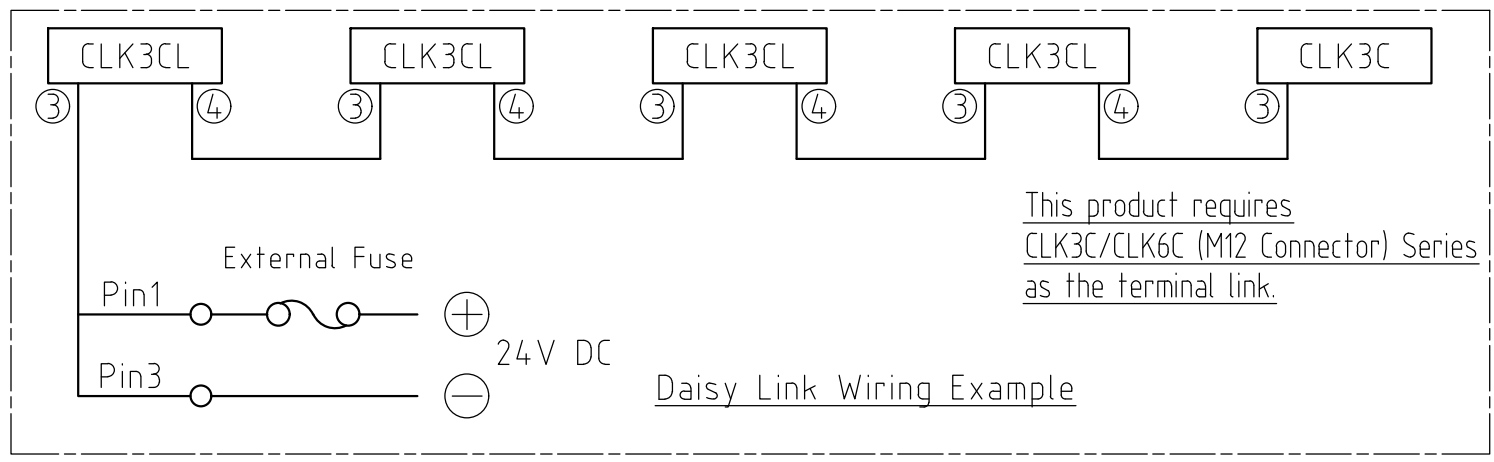


Table2. Maximum Links

	Terminal Links		Daisy Links		Maximum Connections
	CLK3C	CLK6C	CLK3CL	CLK6CL	
<b>I</b>	1		1~4		5
<b>II</b>	1		1~2	0~1	4
<b>III</b>	1			1~2	3
<b>IV</b>		1	1~3		4
<b>V</b>		1	0~1	1	3

Table1. Recommended Cable

	Order No.	Model	Manufacturer
4-wire M12 Socket Cable, 5m length	1668124	SAC-4P-5,0-PUR/M12FS	Phoenix Contact Corp.
4-wire M12 Link Cable, 0.6m length	1668360	SAC-4P-M12MS/0,6-PUR/M12FS	



6	Hex. Socket Bolt	1	M3×6, Stainless
5	Standard Bracket	1	Stainless
4	M12 Socket	1	
3	M12 Plug	1	
2	Glass (Lens)	1	Tempered Glass
1	Body	1	Aluminium Alloy
番号 No.	部品名 Part Name	数量 Qty.	記事 Remarks