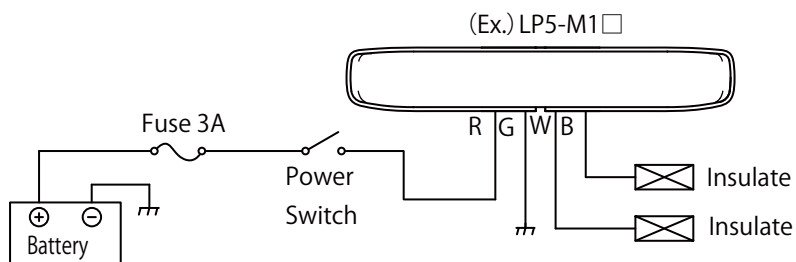


LP5

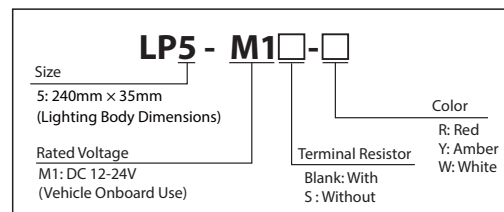
LED Signal Light



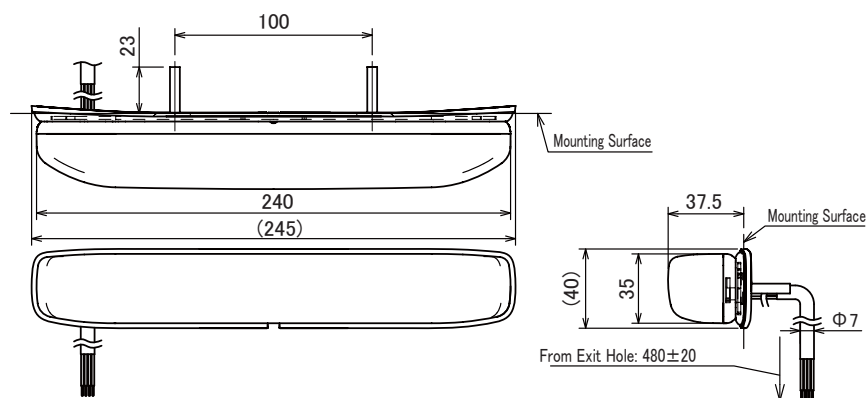
Wiring Example (Individual)



How to Order



Dimensions



Specifications

Model	Rated Voltage	Operating Voltage Range	Current Consumption	Flash Pattern	Operating Temperature Range	Color	Mass
LP5-M1	DC12/24V	DC 9.5 - 30.0V	Max.: 0.7A	Triple-flash	-30°C - +75°C	Red, Amber	300g
LP5-M1-W				Continous Lighting		White	

