

# RLE

## Revolving Warning Light



Optional Rubber Gasket SZ-210



LED

IP55 with SZ-210

Ø82

## LED Signal Light featuring energy-saving and enhanced illumination with an LED integrated reflection system.

### FEATURES

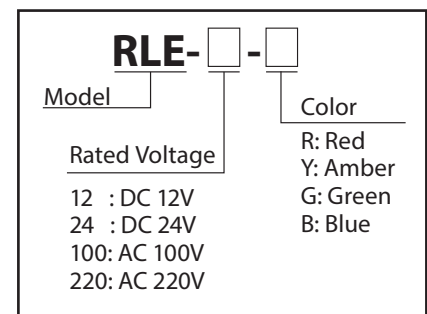
- Indoors allows upright, inverted, and horizontal installation; outdoors allows upright installation only.
- Dome lens is made of superior impact and heat resistant polycarbonate resin.
- Compact motor with high durability and energy-efficient characteristics.
- LED integrated reflection system for enhanced illumination.
- Energy-efficient and maintenance-free LED array
- Main body is made of impact and heat resistant ABS resin.
- Colors available are Red, Amber, and Green.

### Specifications

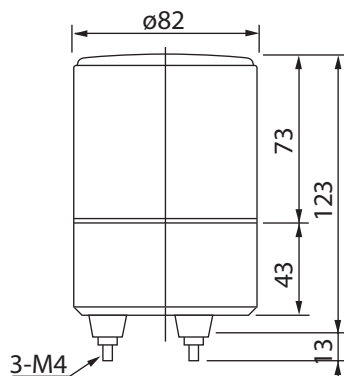
Model	Rated Voltage	Power Consumption	Flash Rate (fpm)	Mass
⊙ RLE-12	DC 12V	2.5W	120	400g
RLE-24	DC 24V	3.0W		600g
RLE-100	AC 100V	4.0W		
RLE-220	AC 220V			

⊙ Available by Special Order

### How to Order



### Dimensions (Unit: mm)



### Mounting Dimensions

