



RH-A/ RK-A

RH-A/RKA

Revolving Warning Light



Optional Rubber Gasket SZ-200A

Bulb

IP55 with SZ-200A

1 Alarm Sound (RHB & RKB)

90dB at 1m (RHB & RKB)

Terminal

Φ100

Compact Revolving Warning Light featuring high durability and easy wiring with terminal block.

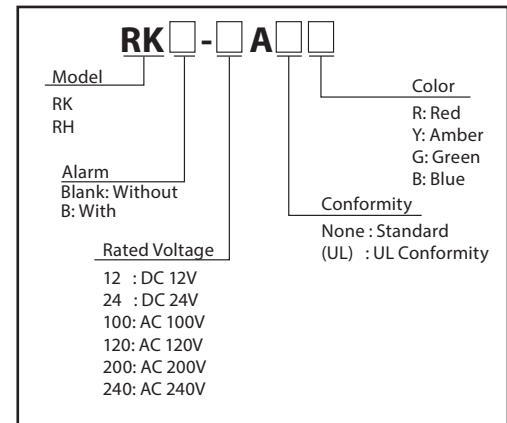
FEATURES

- Indoors allows upright, inverted, and sideways installation; Outdoors allows upright installation only.
- Has the CE mark and conforms to the requirements (for 12V, 24V type only) for the EC directive.
- Dome is made from superior impact and heat resistant polycarbonate resin.
- Main body is made of impact and heat-resistant polycarbonate resin.
- Built-in audible alarm for models RHB/RKB at a sound of 90dB (at 1m).
- Rotating parabolic reflector to enhance visibility from a distance.
- Is UL Listed for 24V, 120V, and 240V types (File No. E215660)
- Vibration-resistant automobile bulb for extended bulb life.
- Available Colors are Red, Amber, Green, and Blue.
- Utilizes a terminal block for easy wiring.

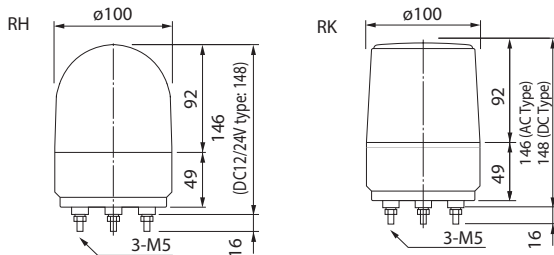
AVAILABLE BY SPECIAL ORDER (RH-A TYPE)

- Body Color: Silver

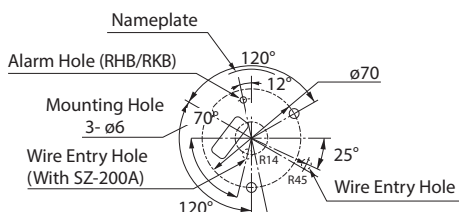
How to Order



Dimensions (Unit: mm)



Mounting Dimensions



Specifications

Model	Rated Voltage	Current Consumption	Flash Rate (fpm)	Bulb		Mass
				Ratings	Repl. No.	
RH/RHB-12A	DC 12V	0.8A	170	12V 10W	9	400g
RH/RHB-24A (UL)	DC 24V	0.5A		24V 10W	10	
RH/RHB-120A (UL)	AC 120V	0.1A		12V 5W	12	600g
RH/RHB-200A	AC 200V	0.03A				
RH/RHB-240A (UL)	AC 240V	0.05A		24V 10W	10	400g
RK/RKB-24A (UL)	DC 24V	0.5A				
RK/RKB-120A (UL)	AC 120V	0.1A		12V 5W	12	600g
RK/RKB-200A	AC 200V	0.03A				
RK/RKB-240A (UL)	AC 240V	0.05A				