

# SPECIFICATIONS

[General Specifications]

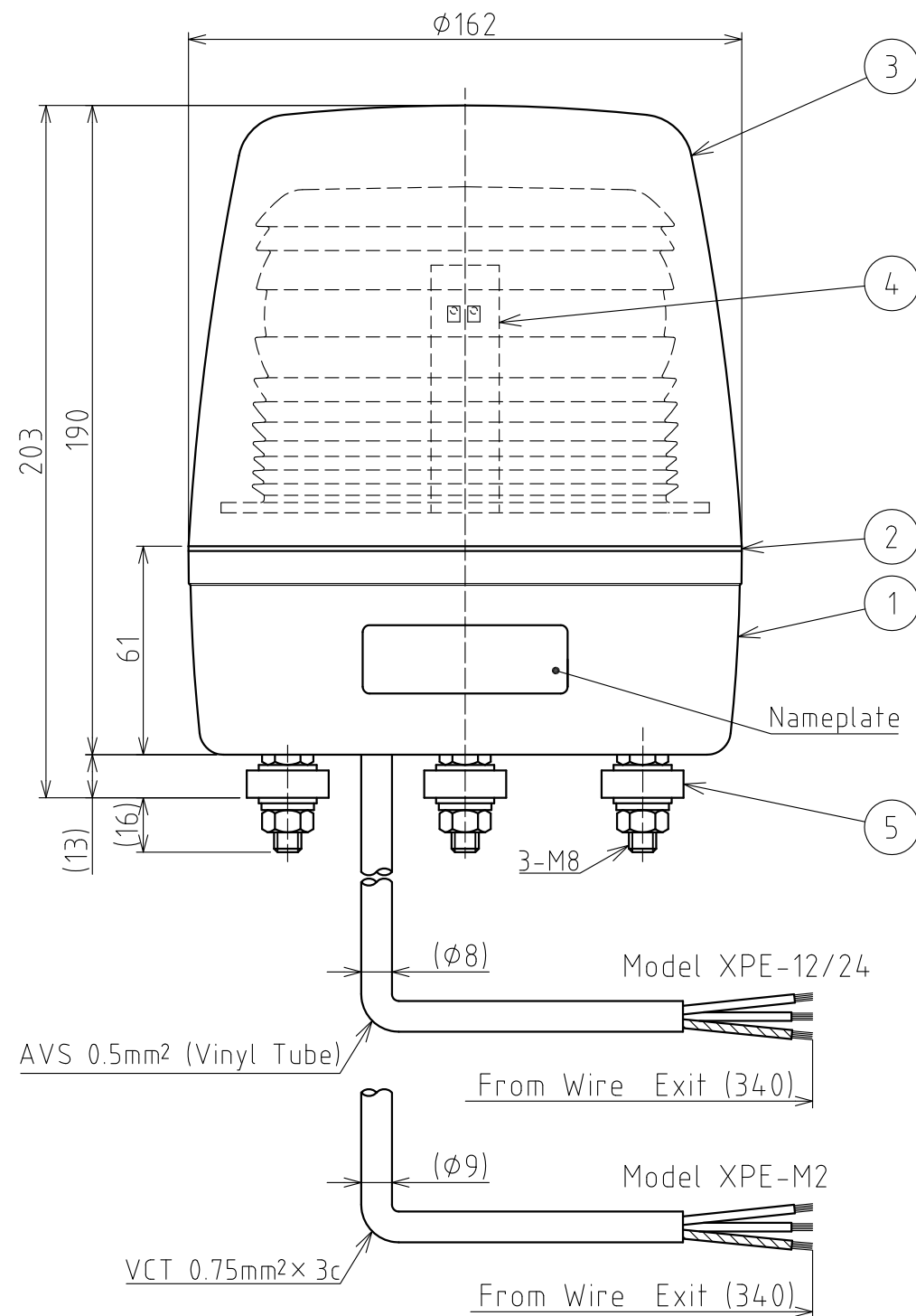
Model	XPE-12	XPE-24	XPE-M2
Rated Voltage	12V DC	24V DC	100V/200V/230V AC (50/60Hz)
Operating Voltage Range	9.5V DC ~ 15V DC	20V DC ~ 30V DC	90V AC ~ 250V AC
Rated Current Consumption	Typ.	0.42A	0.11A (at 100VAC) 0.07A (at 200VAC) 0.07A (at 230VAC)
	Max.	0.50A	0.12A (at 100VAC) 0.08A (at 200VAC) 0.08A (at 230VAC)
Operating Ambient Temperature	-30°C ~ +75°C		-20°C ~ +60°C
Operating Ambient Humidity	Less than 90% (No condensation)		
Storage Ambient Temperature	-35°C ~ +80°C		-25°C ~ +65°C
Storage Ambient Humidity	Less than 90% (No condensation)		
Mounting Location	Indoors and Outdoors		
Mounting Direction	Upright ,Inverted and Sideways (In a wet environment, Upright only)		
Protection Rating	IP23 (IEC 60529)		
Vibration Resistance	45m/s <sup>2</sup>		20m/s <sup>2</sup>
Insulation Resistance	More than 1MΩ at 500VDC between the terminals and the chassis		
Withstand Voltage	The following voltage applied for 1min between terminals and chassis without breaking insulation		
	500V AC		1500V AC
Flashing Rate	110±10 Flashes Per Minute (Triple Flash Pattern)		
Luminous Intensity	Red:64cd, Amber:116cd, Green:88cd, Blue:34cd		
Mass (Tolerance ±10%)	1.2kg		
Outer Dimensions	Refer to the Outer Dimension Drawing		
Conformity Standards	RoHS Directive (EN 50581) EMC Directive (EN 55015, EN 61547) FCC Part15 SubpartB Class A		EMC Directive (EN55015, EN61547, EN61000-3-2, EN61000-3-3) Low Voltage Directive (EN 62471, EN 60598-1, EN 60598-2-1)
Remarks	Conforms to the CE requirements		
No.XPE-24-W18B-1_2			

**PATLITE Corporation**

# Model Number Configuration

XPE-□□-□

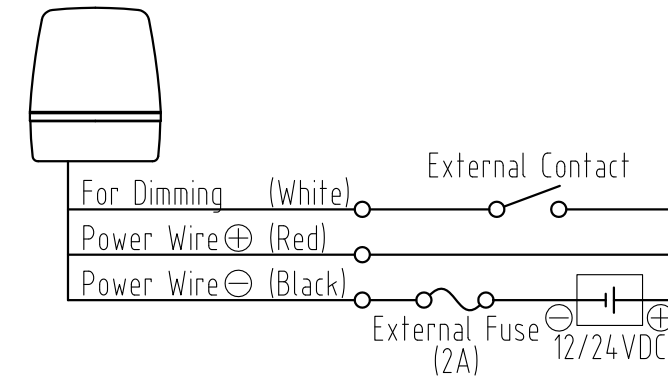
The luminescence color is indicated.  
 R:Red / Y:Amber / G:Green / B:Blue  
 Rated Voltage  
 12:12VDC / 24:24VDC / M2:100/200/230VAC



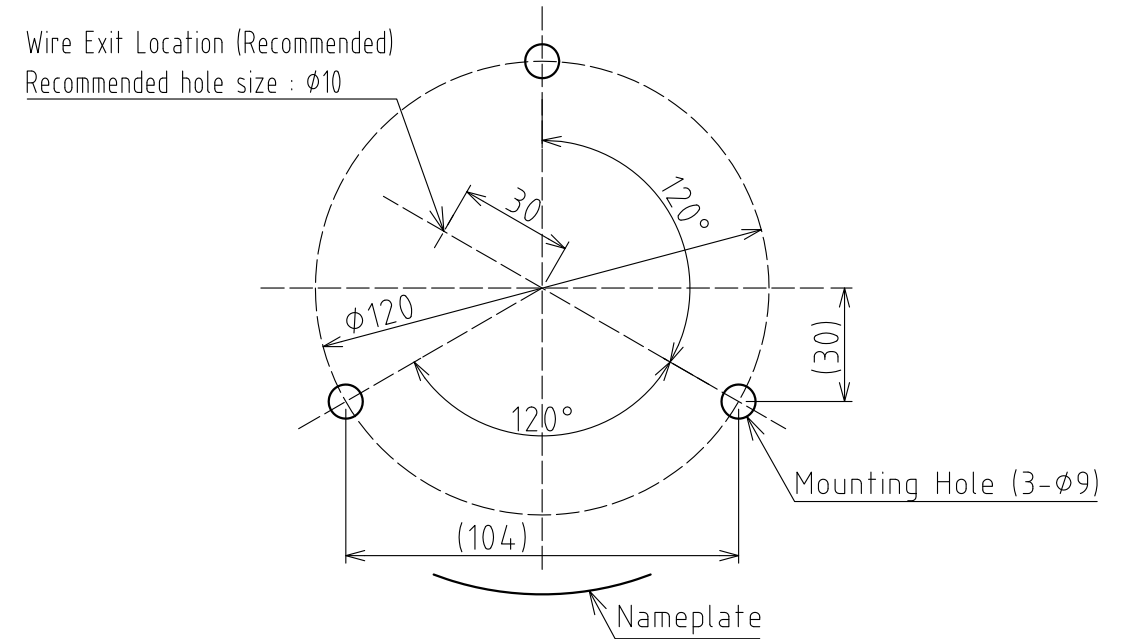
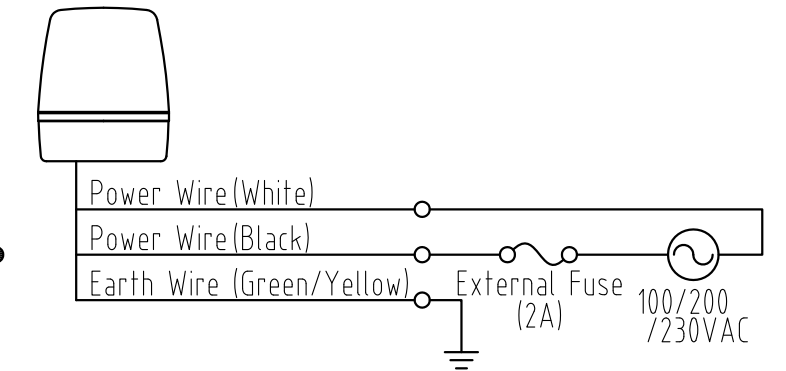
Dimensions

# Wiring Example

Model XPE-12/24



Model XPE-M2



Installation Dimensions

5	Rubber	-	3	EPDM (Black)	
4	LED Unit	-	1		
3	Globe	-	1	AS	
2	Rubber Packing	-	1	EPDM (Black)	
1	Body	-	1	AES (Light Gray)	
番号 No.	部品名 Part Name	品目コード Part No.	数量 Qty.	材料 & 寸法 & 処理 Material & Size & Finish	記事 Remarks

外観図面  
Outer Dimension Drawing

株式会社 パトライト  
PATLITE Corporation

XPE-24-W18B-2\_2