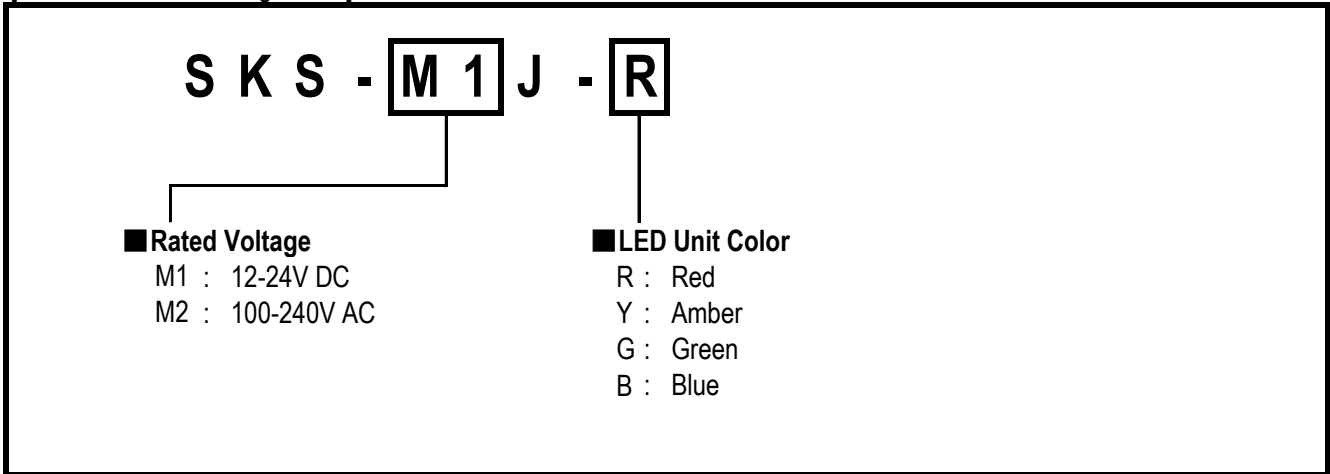


SPECIFICATIONS

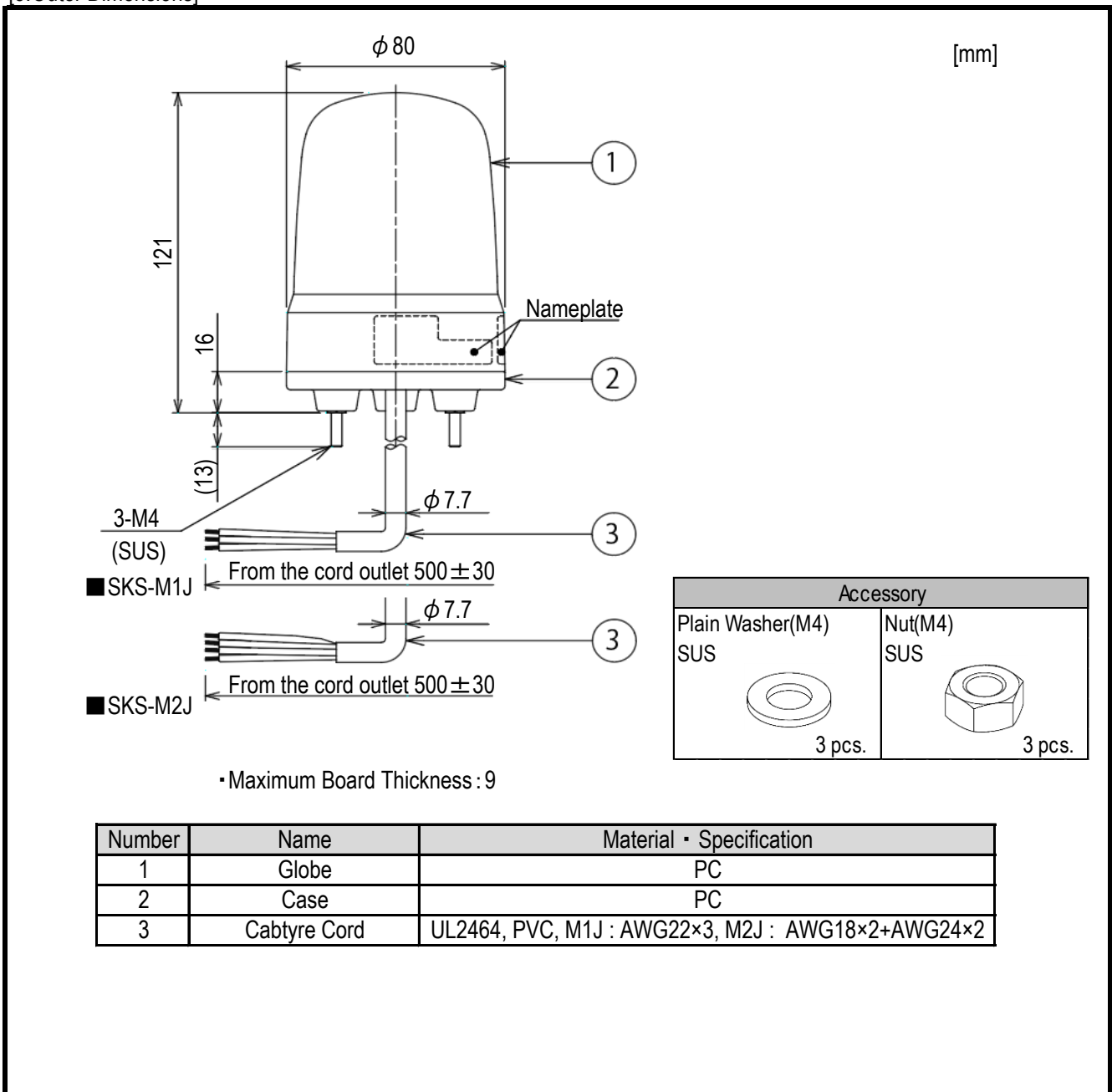
[1. General Specifications]

Product Name		Rotating Beacons			
Model		SKS-M1J-□		SKS-M2J-□	
Rated Voltage		12-24V DC		100-240V AC (50/60Hz)	
Operating Voltage Range		10-30V DC		90-250V AC	
Rated Current Consumption		12V DC	24V DC	100V AC	240V AC
	Max.	0.21A	0.12A	0.07A	0.04A
Rated Power Consumption				3.0W	
	Max.	2.5W	2.9W		
Operating Ambient Temperature		-10°C to +50°C			
Operating Ambient Humidity		Less than 90 % (No condensation)			
Storage Ambient Temperature		-20°C to +60°C			
Storage Ambient Humidity		Less than 90 % (No condensation)			
Mounting Location		Indoor/Outdoor			
Mounting Direction		Indoor : Upright, Inverted & Sideways Outdoor : Upright			
Protection Rating		IP23			
		IP65(when used with SZW-102 Rubber Gasket attachment)			
Environmental Condition		Upright			
Insulation Resistance		More than 1MΩ at 500V DC between live part and non-current carrying metallic part		More than 3MΩ at 500V DC between live part and non-current carrying metallic part	
Withstand Voltage		500V AC applied for 1min between live part and non-current carrying metallic part without breaking insulation		4,000V AC applied for 1min between live part and non-current carrying metallic part without breaking insulation	
Mass (Typ.)		0.24kg		0.27kg	
Flashing Rate (Typ.)		120 rpm			
Conformity Standards		UL UL508, CSA-C22.2 No.14 (UL File No.E215660)			
		EMC Directive		EN61000-6-4, EN61000-6-2	
		EMC Directive		EN61000-6-4, EN61000-6-2	
		KC		KN61000-6-4, KN61000-6-2	
		FCC		FCC Part15 SubpartB ClassA, ICES-003 ClassA	
		RoHS Directive		EN IEC 63000	
		Low Voltage Directive		IEC/EN60947-5-1, EN62471	
EAC		TPTC020/2011		TPTC020/2011, TPTC004/2011	
		UL, Low Voltage Directive, and EAC have been evaluated for use in indoor industrial control equipment.			
Remarks		Due to the characteristics of the LED elements, there may be a slight variation in color tone and brightness between products. CE Marking			

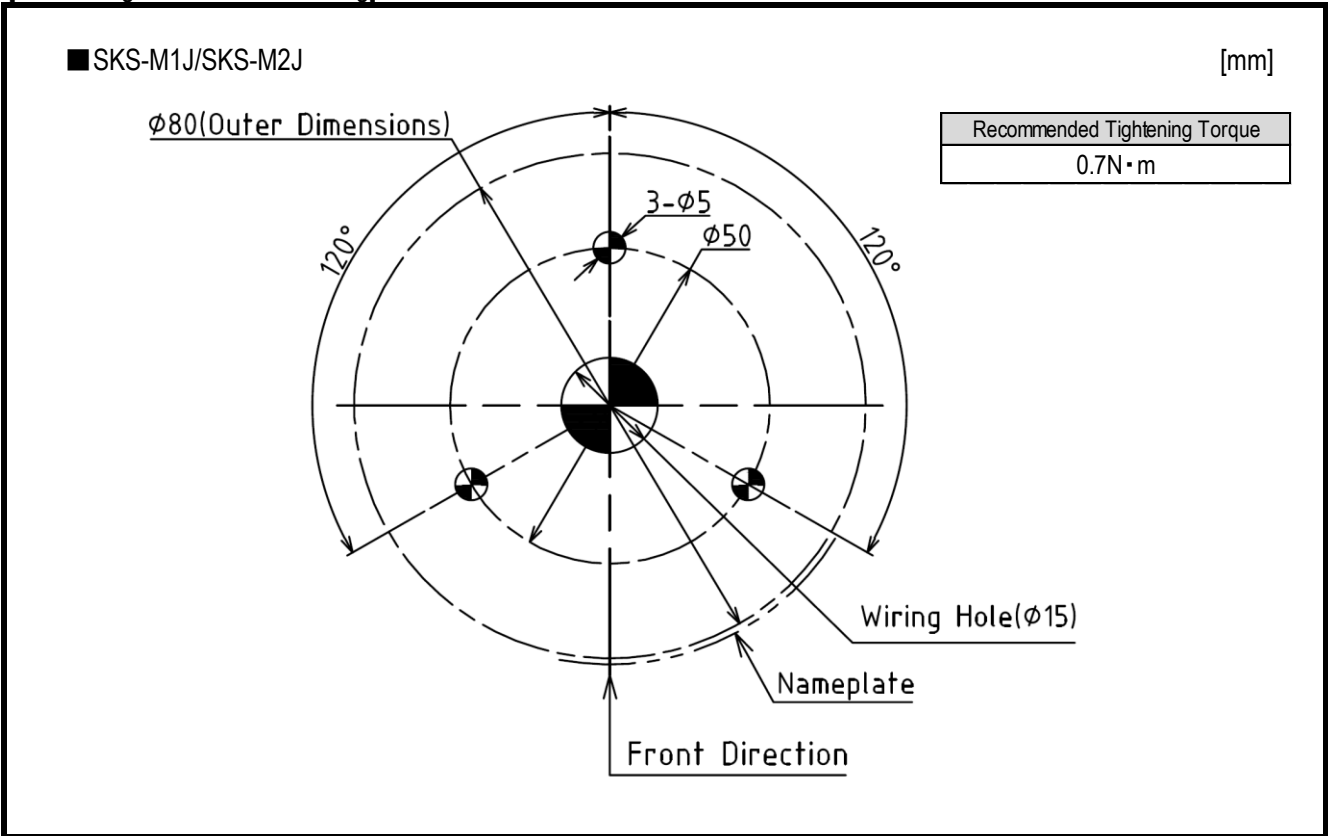
[2.Model Number Configuration]



[3.Outer Dimensions]



[4. Mounting Dimensional Drawing]



[5. Wiring Example]

