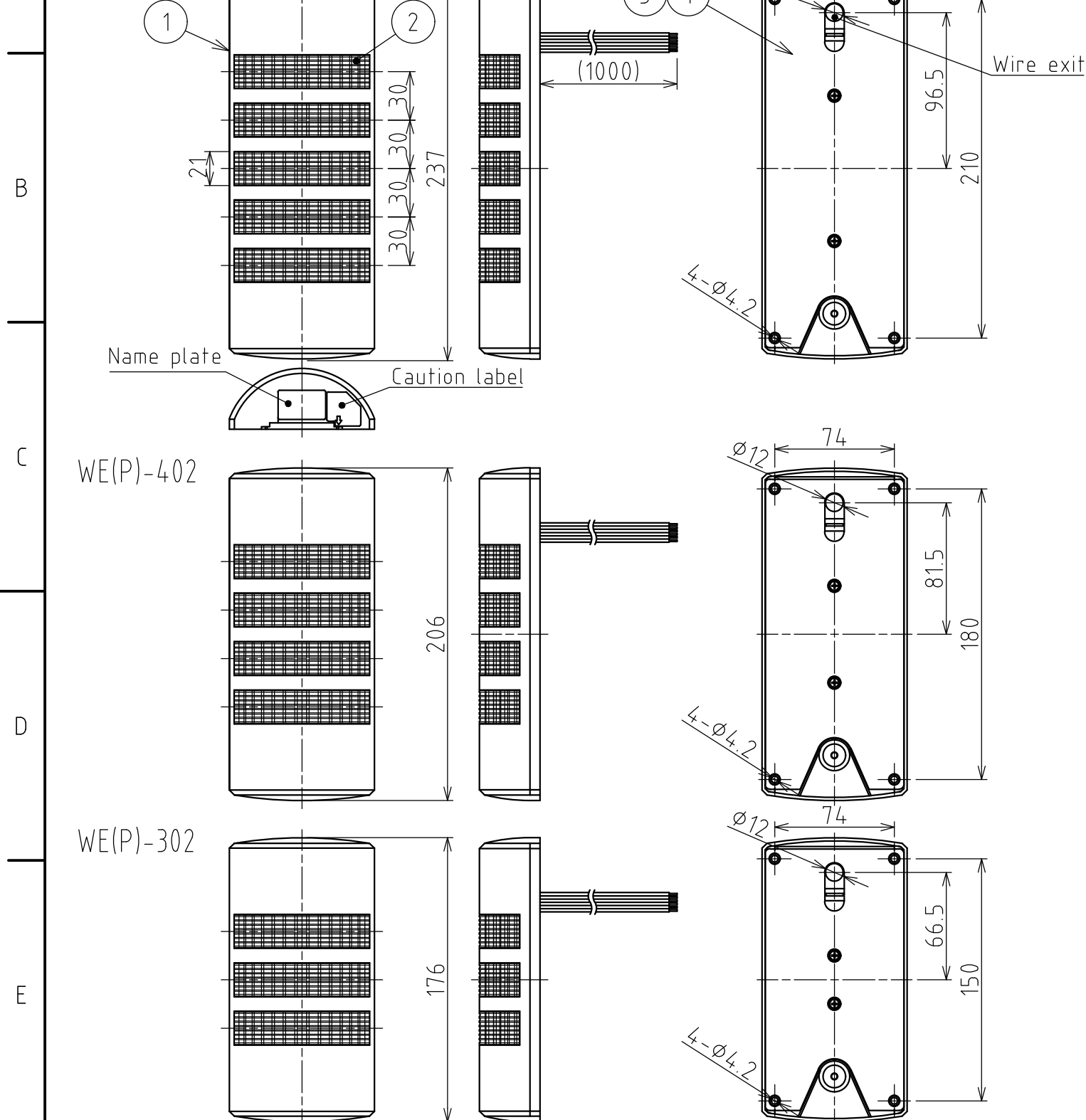


<h1>SPECIFICATIONS</h1>
-------------------------

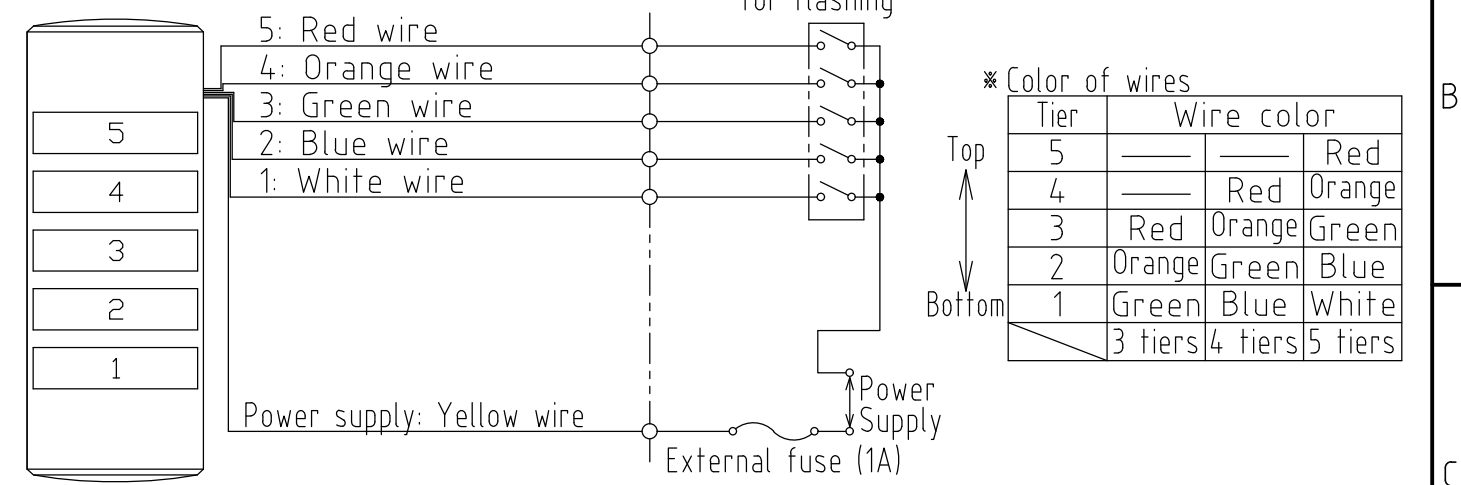
[General Specifications]

Product Name		LED SIGNAL LIGHT					
Model	5 Tiers	WE-502			WEP-502		
	4 Tiers	WE-402			WEP-402		
	3 Tiers	WE-302			WEP-302		
Surface of cover		Chromium plating			Not plating (Light gray)		
Rated Voltage		DC24V(No Polarity) / AC24V (50/60Hz)					
Operating Voltage Range		Rated Voltage $\pm 10\%$					
Rated Current Consumption	Per tier	Red	Amber	Green	Blue	White	
		Typ.	24.0 mA		14.3 mA		
		Max.	28.0 mA	27.0 mA	20.9 mA		
Operating Ambient Temperature		- 30°C ~ + 60°C					
Operating Ambient Humidity		Less than 90% (No condensation)					
Mounting Location		Indoor only					
Mounting Direction		Upright, Updown, Sideways					
Protection Rating		IP65					
Environmental Condition		Upright					
Vibration Resistance		19.6 m/s <sup>2</sup> (30Hz)					
Insulation Resistance		More than 1M $\Omega$ at 500VDC between live part and non-current carrying metallic part					
Withstand Voltage		500VAC applied for 1min between live part and non-current carrying metallic part without breaking insulation					
Luminous Intensity	Red	Amber	Green	Blue	White		
	600 mcd or more	800 mcd or more	6300 mcd or more	2400 mcd or more	6200 mcd or more		
Mass (Tolerance $\pm 10\%$ )	3 Tiers		4 Tiers		5 Tiers		
	0.30 kg		0.33 kg		0.35 kg		
Outer Dimensions		Refer to the Outer Dimension Drawing					
Conformity Standards		UL508, CSA-C22.2 No.14 RoHS Directive (EN IEC 63000)					
Remarks		<ul style="list-style-type: none"> <li>• Conforms to the CE requirements</li> <li>• Conforms to the UKCA requirements</li> <li>• UL Recognized Component (File No.E215660)</li> </ul>					

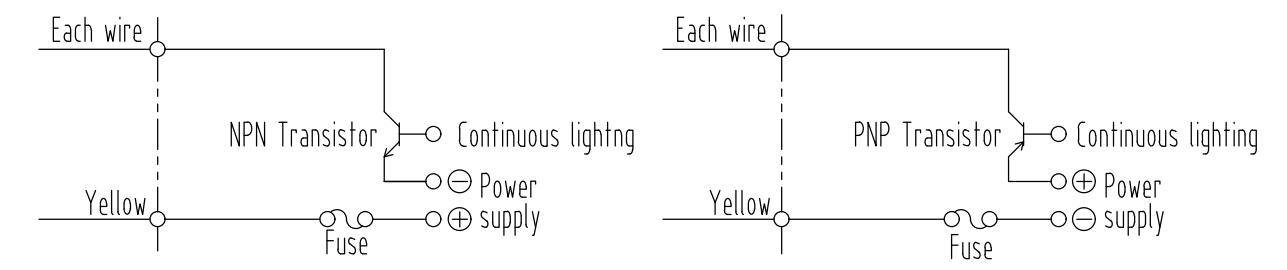


### Wiring

Wire type: UL1007/AWG22



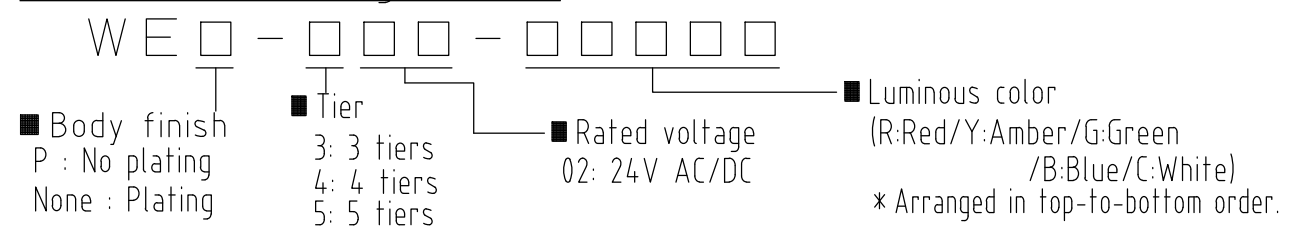
### Transistor drive (24V DC)



### Note

1. Insulate ends of unused wires by tape or any other suitable thing.
2. Use "Class 2 circuit" for power supply source.
3. Concerning fuse and fuse-holder, use the products authorized by UL Inc.
4. Use the fuse conforming to the rated current of the machine on which the product is installed. (Example: Class J type fuse)

### Model No. configuration



4	Waterproof sheet	1	CR (Black)
3	Body	1	ABS (Light gray)
2	Lens	1	PC (Clear)
1	Cover	1	ABS (Light gray) Chromium plating(WE only)
番号 No.	部品名 Part Name	数量 Qty.	記事 Remarks
機種 Model	WE(P)-□02	特注No. S.P.No.	図名 Name
品目コード Part No.	-	尺度 Scale	三角法 3rd Angle P.
		単位 Unit	株式会社 PATLITE Corporation