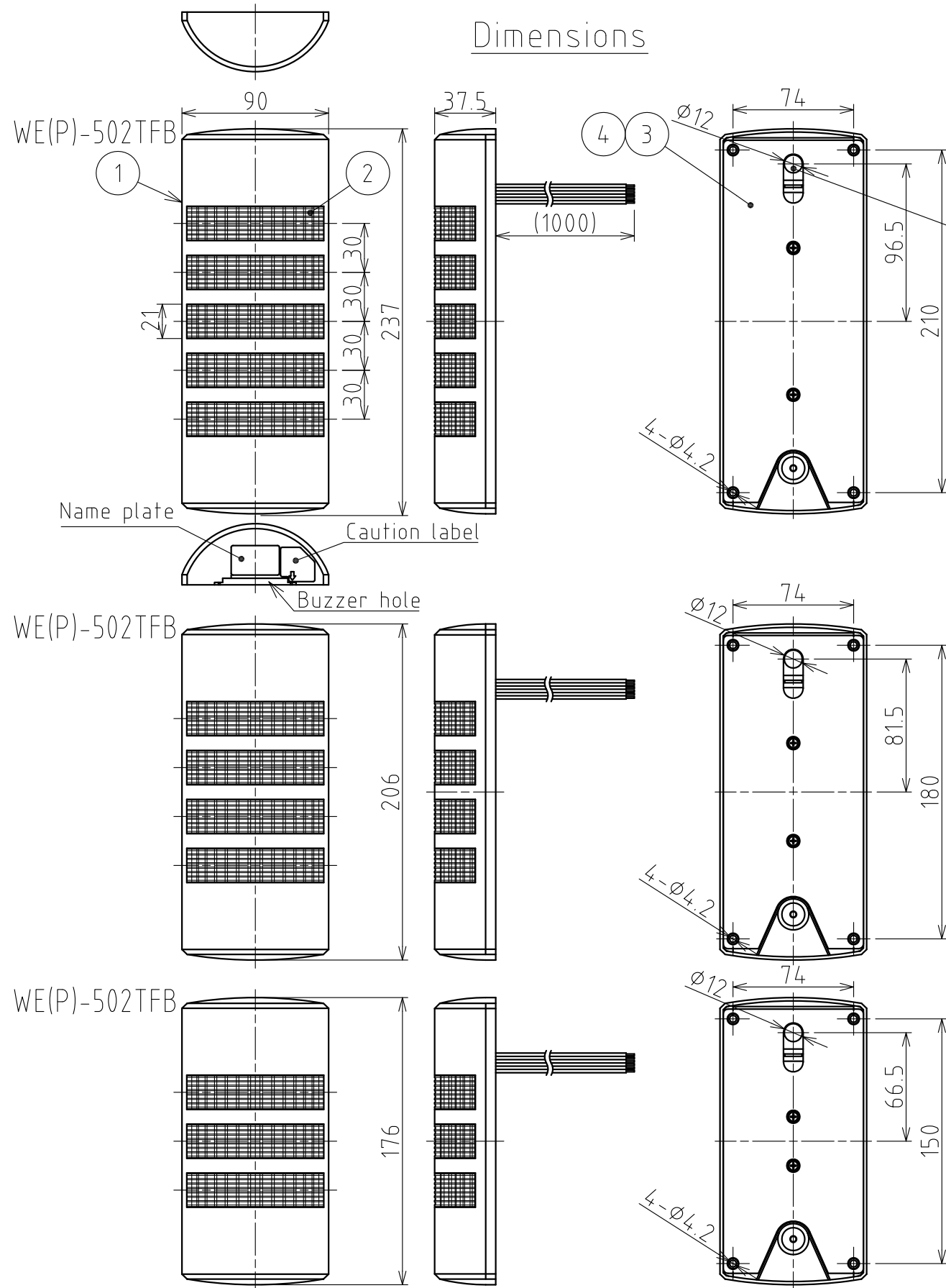
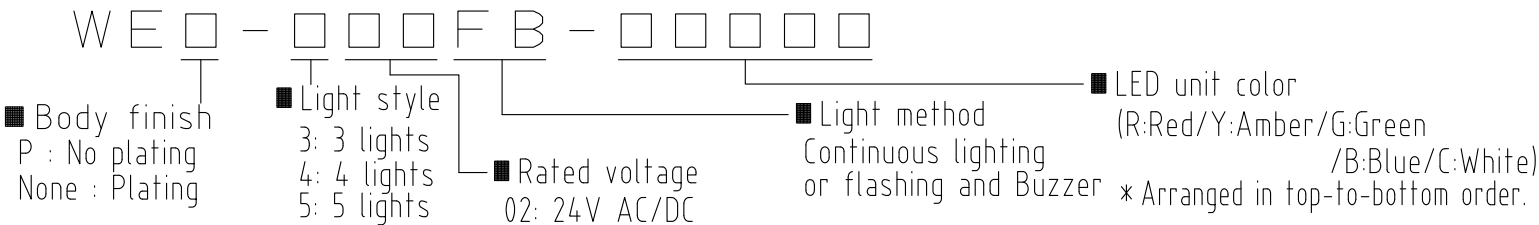


## SPECIFICATIONS

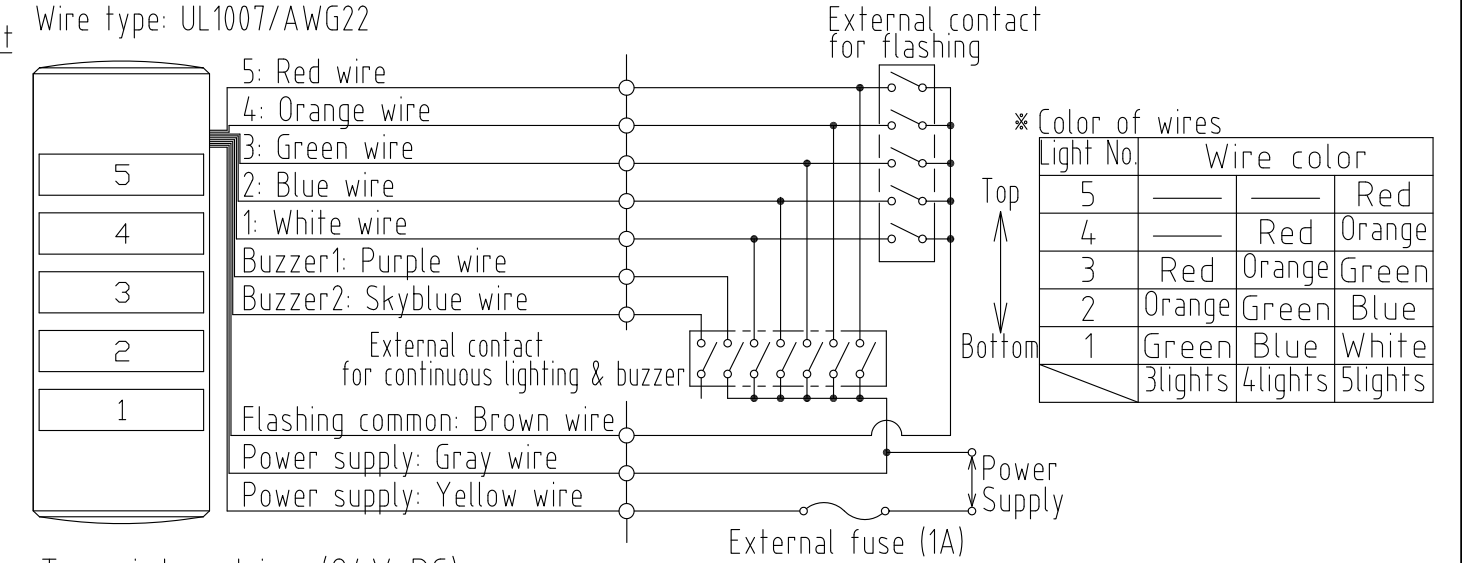
Model	5 lights	WE-502FB			WEP-502FB		
	4 lights	WE-402FB			WEP-402FB		
	3 lights	WE-302FB			WEP-302FB		
Surface of cover		Chromium plating			Not plating (Light gray)		
Rated voltage		24V AC/DC (50/60Hz)					
Operating voltage		Rated voltage $\pm$ 10%					
Current consumption	Typ.	Per light					Buzzer
		Red	Amber	Green	Blue	White	
	Max.	24 mA	17 mA				40 mA
		28 mA	27 mA	23 mA			50 mA (Rush current : 250mA)
Operating temperature range (Relative humidity)		- 30°C ~ + 60°C (Less than 90%)					
Mounting place		Indoor only					
Mounting direction		Upright, Updown, Sideways					
Protection rating		IP54 (Mounting direction : Upright)					
Vibration proof		19.6 m/s <sup>2</sup> (30Hz)					
Insulation resistance		To be measured by an insulation measuring device of 500VDC between the terminals and the chassis. More than 1M $\Omega$					
Withstand voltage		500VAC being applied between the terminals and the chassis for 1 minute. Not braking insulation					
Flashing cycle		60 $\pm$ 12 flashes per minute					
Buzzer	Sound level	90dB (at 1m)					
	Tone	Buzzer1 : pipipi Buzzer2 : beep beep					
Luminous intensity	Red	Amber	Green	Blue	White		
	600 mcd or more	800 mcd or more	2000 mcd or more	600 mcd or more	1800 mcd or more		
Mass	3 lights		4 lights			5 lights	
	0.30 kg		0.33 kg			0.35 kg	
No. WE-502FB-W18A-1_2							
<ul style="list-style-type: none"> <li>● This product confirms to the CE requirements and CE Marking is indicated.</li> <li>● Recognized as UL standard. (Standard No.UL508, File No. E215660)</li> <li>● This product complies with the RoHS Directive(DIRECTIVE 2002/95/EC)</li> </ul>							
<b>PATLITE Corporation</b>							



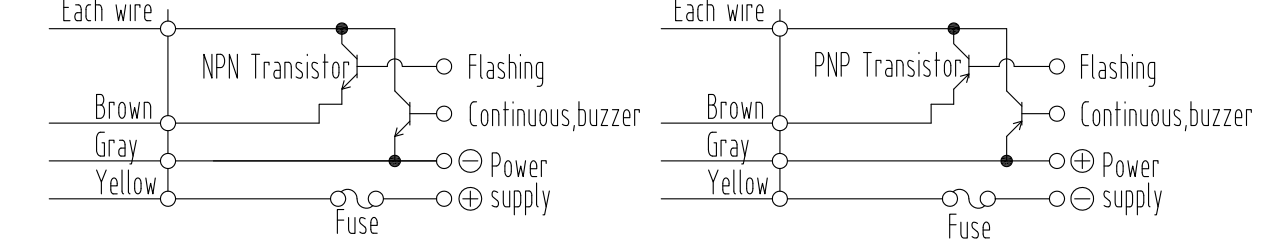
### Model No. configuration



### Wiring



### Transistor drive (24V DC)



### Note

1. Insulate ends of unused wires by tape or any other suitable thing.
2. Use "Class 2 circuit" for the power supply source.
3. Concerning fuse and fuse-holder, use the products authorized by UL Inc.
4. Use the fuse conforming to the rated current of the machine on which the product is installed. (Example: Class J type fuse)
5. Two independent common lines are required for continuous lighting and flashing for a Programmable Controller and etc.
6. Do not contact flashing common and continuous lighting common with one LED unit simultaneously. Otherwise unexpected LED units may turn on. To avoid this, continuous lighting and flashing must be switched alternately.
7. Buzzer 1 takes precedence of buzzer 2 when they are in operation simultaneously.

4	Waterproof sheet	-	1	CR (Black)	
3	Body	-	1	ABS (Light gray)	
2	Lens	-	1	PC (Clear)	
1	Cover	-	1	ABS (Light gray) Chromium plating(WE only)	
番号 No.	部品名 Part Name	品目コード Part No.	数量 Qty.	材料 & 寸法 & 処理 Material & Size & Finish	記事 Remarks

**外観図面**  
Outer Dimension Drawing

株式会社 **パトライト**  
PATLITE Corporation

WE-502FB-W18A-2\_2