

Audible Alarm

BD-A

- 80 mm
- CE (DC Type)
- RoHS 10
- UL (DC Type)
- FCC
- IP54
- Indoor/Outdoor Use
- Upright/Sideways/Inverted Mounting
- Ambient Temperature -20°C~+55°C
- 90dB
- 32 Alarm Sounds
- 4 Inputs



-J (Light gray)

-K (Dark gray)

Model Number Configuration

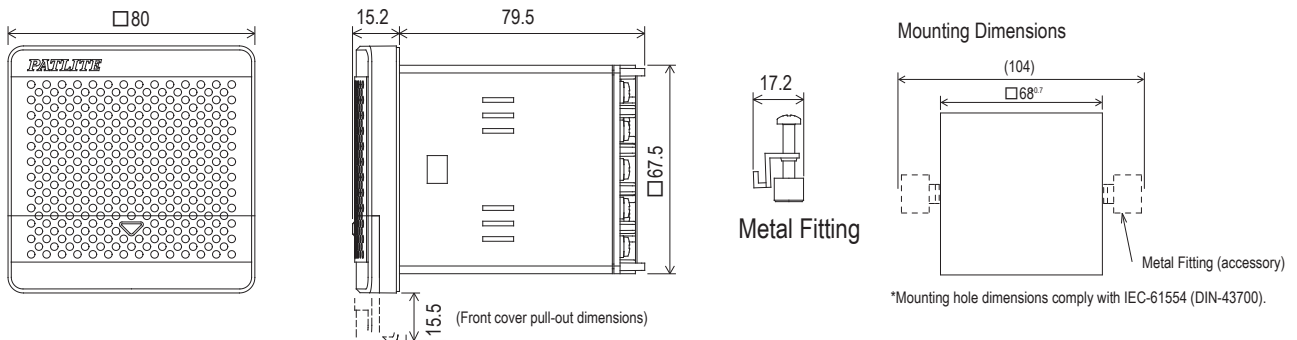
BD-24AA-J

- ①
- ②
- ③

① Rated Voltage 24 = 12 - 24V DC 100 = 100/220V AC	② Alarm Type* A = Type A C = Type C D = Type D E = Type E	③ Body Color - Front J = Light Gray K = Dark Gray
--	---	---

* Please refer to the Sound Selection Chart on page 84 for alarm details.

Dimensions (mm)



Product List

Model Number	Rated Voltage	Alarm Type	Body Color - Front	Power Consumption	Mass
BD-24A □ -J/K	12 - 24V DC	A/C/D/E	Light Gray, Dark Gray	4.0W	0.16kg
BD-100A □ -J/K	100/220V AC	A/C/D/E	Light Gray, Dark Gray	5.0W	0.18kg

Other Specifications

Supported Transistors	NPN
Volume Control	Rotating knob

Optional Parts

For details refer to P. 93 to P. 98

Product Description	Model Number
SD card (2GB)	SDV-2GP

Audible Alarm

BK

□120 mm	CE (DC Type)	RoHS 10	IP54	Indoor/Outdoor Use
Upright/Sideways*/Inverted* Mounting	Ambient Temperature -20°C~+50°C	95dB	32 Alarm Sounds	bit/binary 8/32 Inputs

* Indoor Only

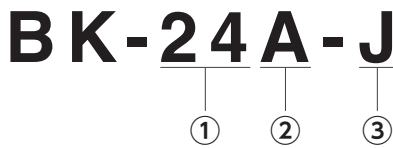


-J (Light gray)



-K (Dark gray)

Model Number Configuration

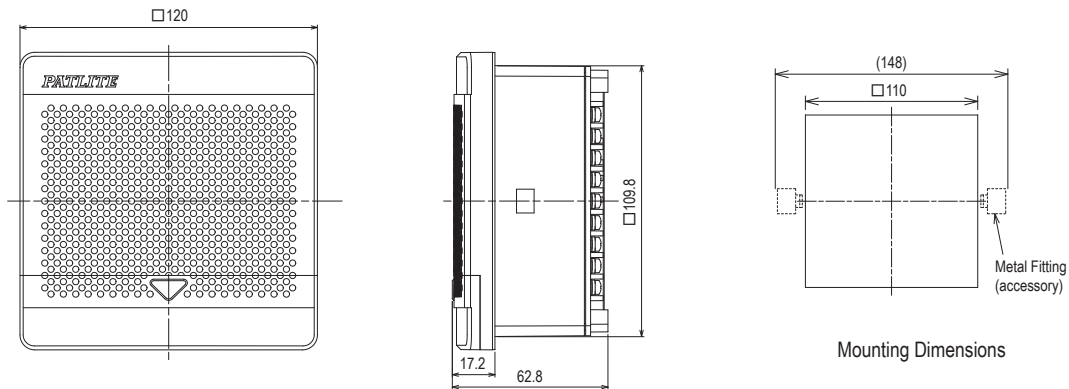


① Rated Voltage 24 = 12 - 24V DC 100 = 100V AC 220 = 220V AC	② Alarm Type* A = Type A C = Type C D = Type D E = Type E	③ Colors J = Light Gray K = Dark Gray
---	---	---

The following custom specifications are available.
● PNP open collector specifications

* Please refer to the Sound Selection Chart on page 84 for alarm details.

Dimensions (mm)



Product List

Model Number	Rated Voltage	Alarm Type	Color	Power Consumption	Mass
BK-24 □ -J/K	12 - 24V DC	A/C/D/E	Light Gray, Dark Gray	12W	0.35kg
BK-100 □ -J/K	100V AC	A/C/D/E	Light Gray, Dark Gray	10W	0.53kg
BK-220 □ -J/K	220V AC	A/C/D/E	Light Gray, Dark Gray	11W	0.53kg

Other Specifications

Supported Transistors	NPN
Volume Control	Rotating knob

Optional Parts

For details refer to P. 93 to P. 98

Product Description	Model Number
Mounting bracket	BK-001 (2 fixed seals attached)
Mounting bracket	BK-002-J
Mounting bracket	BK-002-K
SD card (2GB)	SDV-2GP

* BK-001 can be used to install the product with □130mm mounting holes from older models.