

# Slim MP3 Voice Annunciator

# BSV/BSV-L

75 mm	CE	RoHS 10	UL	FCC	IP54 (Panel Mounting)	Indoor/Outdoor Use	Upright/Sideways*/Inverted* Mounting	Ambient Temperature -10°C~+50°C
87dB	Playback Length 63 seconds	Playback Length 520 seconds (BSV-L)	bit / binary 4 / 15 Inputs					



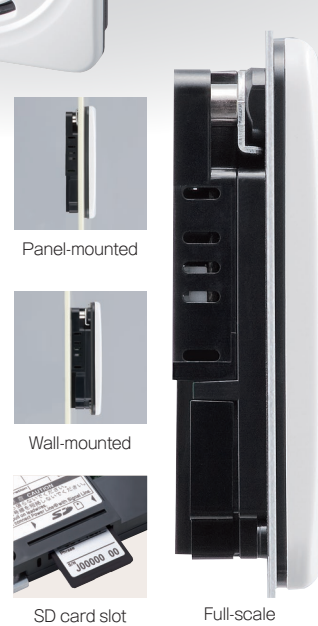
BSV/BSV-L

## Model Number Configuration

# BSV-24NLM-W

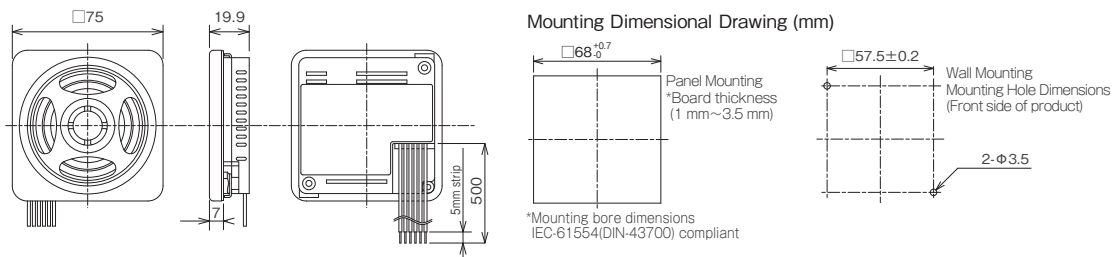
- ①
- ②
- ③
- ④

① Supported Transistors N = NPN P = PNP	② Recording Time L = 520 seconds None = 63 seconds	③ Pre-recorded Message None = None (15 built-in sounds)	④ Cover Color W = Off White D = Dark Gray S = Silver
---	--	--	---



LAN / USB / PoE / Wireless  
Signal Tower  
Beacons  
Cube Tower

## Dimensions (mm)



Audible Alarms and MP3 Voice Annunciators  
Hybrid Signaling Devices

## Product List

Model Number	Rated Voltage	Supported Transistors	Recording Time	Pre-recorded Message	Cover Color	Power Consumption	Mass
BSV-24N(L)-W/D/S	12 - 24V DC	NPN	63 seconds/520 seconds	None	Off-white, Dark Gray, Silver	3.5W	0.1kg
BSV-24P(L)-W/D/S	12 - 24V DC	PNP	63 seconds/520 seconds	None	Off-white, Dark Gray, Silver	3.5W	0.1kg
BSV-24N(L)M-W/D/S	12 - 24V DC	NPN	63 seconds/520 seconds	Yes	Off-white, Dark Gray, Silver	3.5W	0.1kg
BSV-24P(L)M-W/D/S	12 - 24V DC	PNP	63 seconds/520 seconds	Yes	Off-white, Dark Gray, Silver	3.5W	0.1kg

LED Illumination

## Sound Specification

Volume Control	Rotating knob
Sound File Format	MP3 (Bit rate: 32 kbps, 64kbps)

## Optional Parts

For details refer to P. 93 to P. 98

Product Description	Model Number
SD card (2GB)	SDV-2GP

Optional Parts

## Alarm Sound Selection Chart

Maximum 15-message playback (BSV-M type)

15 built-in standard alarm sounds (BSV type)

Contains 15 standard alarm sounds.

No.1 Chime	No.2 Beep	No.3 Stutter	No.4 Bell	No.5 Yelp
No.6 Rapid Hi-Lo	No.7 Melody Chime	No.8 Synthesized Piano	No.9 Synthesized Bell	No.10 Stutter & Bell
No.11 Synthesized Melody	No.12 Call Sign	No.13 Inverted Reveille x3	No.14 Galactic Motor	No.15 Two Tone

Operation Modes

Modes			
A	Bit input and normal playback	C	Bit input and hold playback
E	Binary input and normal playback	G	Binary input and hold playback
B	Playback prioritizing bit input and subsequent input	D	Bit input and memory playback
F	Playback prioritizing binary input and subsequent input	H	Binary input and memory playback

Note:

1. Changing or adding messages will delete all standard alarms and MP3 data in the main unit's memory.
2. Changing operation modes requires an SD card (SDV-2GP, sold separately).
3. Operation is not guaranteed when using other types of SD cards.
4. Change input mode to binary in order to access all 15 sounds.

# MP3 Voice Annunciator Horn

# EHV



- CE  
(DC Type)
  - RoHS  
10
  - UL  
(Excluding M3)
  - FCC  
(Excluding M3)
  - KC  
(Excluding M3)
  - IP65
  - Indoor/  
Outdoor  
Use
  - Upright/  
Sideways/  
Inverted  
Mounting
  - Ambient  
Temperature  
-20°C~+50°C
- 110dB
  - 63  
Alarm  
Sounds
  - Playback  
Length  
220  
seconds
  - bit / binary  
8 / 63  
Inputs

\*MP3 is 105dB

Note: Sound reduction feature can be specified at the time of order or by using Patlite's Playlist Editor 2.

## Model Number Configuration

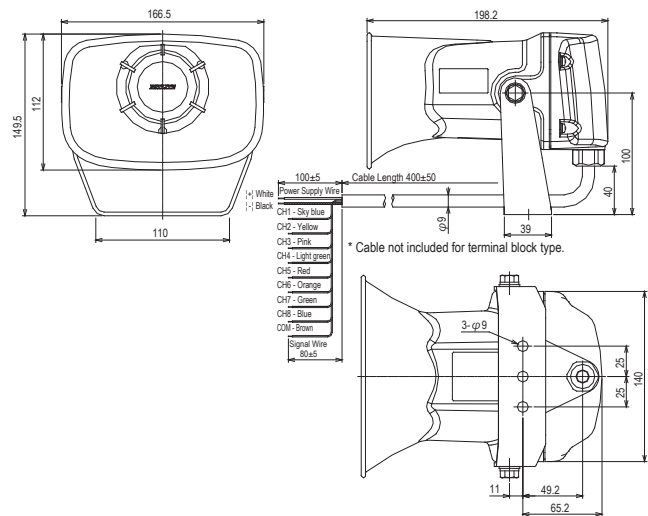
# EHV-M1HF

- ①
- ②
- ③

- |  |  |   |
|--|--|---|
| ① Rated Voltage<br>M1 = 12 - 24V DC<br>M2 = 100 - 240V AC<br>M3 = 12 - 48V DC<br>(mountable in vehicle)<br><br>Note: M3 Specifications<br>H: Cable type only | ② Wiring Method<br>H = Cable<br>T = Terminal Block | ③ Alarm Type*<br>F = Type F<br>G = Type G |
|--|--|---|

\* Please refer to the Sound Selection Chart on page 84 for alarm details.

## Dimensions (mm)



## Product List

Model Number	Rated Voltage	Wiring Method	Alarm Type	Pre-recorded Message	Power Consumption	Mass
EHV-M1H <input type="checkbox"/>	12 - 24V DC	Cable	F/G	None	8.0W	1.25kg
EHV-M1T <input type="checkbox"/>	12 - 24V DC	Terminal Block	F/G	None	8.0W	1.25kg
EHV-M2H <input type="checkbox"/>	100~240V AC	Cable	F/G	None	7.9W	1.25kg
EHV-M2T <input type="checkbox"/>	100~240V AC	Terminal Block	F/G	None	7.9W	1.25kg
EHV-M1H <input type="checkbox"/> M	12 - 24V DC	Cable	F/G	Yes	8.0W	1.25kg
EHV-M1T <input type="checkbox"/> M	12 - 24V DC	Terminal Block	F/G	Yes	8.0W	1.25kg
EHV-M2H <input type="checkbox"/> M	100~240V AC	Cable	F/G	Yes	7.9W	1.25kg
EHV-M2T <input type="checkbox"/> M	100~240V AC	Terminal Block	F/G	Yes	7.9W	1.25kg
EHV-M3H <input type="checkbox"/>	12-48V DC	Cable	F/G	None	6.1W	1.25kg
EHV-M3H <input type="checkbox"/> M	12-48V DC	Cable	F/G	Yes	6.1W	1.25kg

## Other Specifications

Supported Transistors (NPN / PNP)	M1: NPN/PNP, M2/M3: NPN
Volume Control	Rotating knob or by program (-10 dB, -20 dB, -30 dB)
Sound File Format	MP3 data (Bit rate: 32 kbps, 64 kbps, 128 kbps/Sample rate: 44.1kHz)

## Optional Parts

For details refer to P. 93 to P. 98

Product Description	Model Number
SD card (2GB)	SDV-2GP