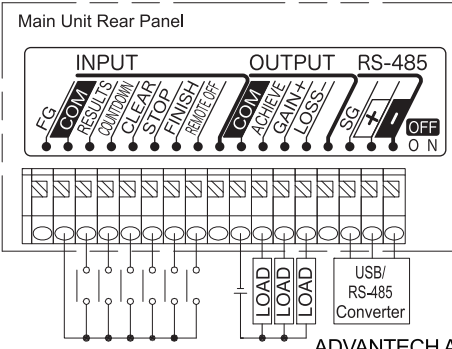


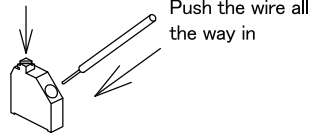
5.3 Signal Line Wiring

Terminal Block Wiring

Use the following figure when wiring (Only wire the necessary terminals):

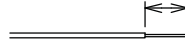


※ When connecting to the terminal:
Push down with a flat-head driver



※ Wire Diameter: 0.2 to 1.25mm²

※ Signal wire strip length 8.5 to 9.5mm



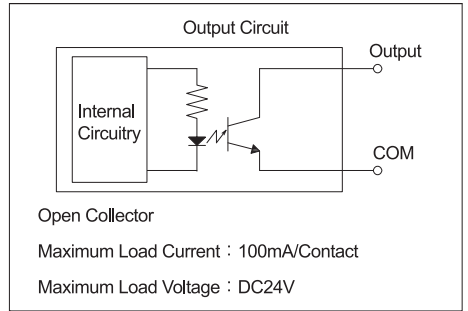
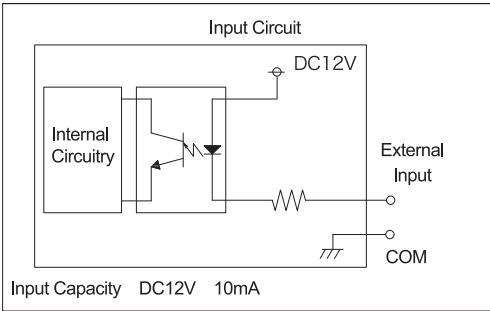
ADVANTECH ADAM-4561-BE (Recommended Part, Sold Separate)

※ When wiring, connect the RS-485 positive and negative signal wires after wiring the SG (Signal Ground).
(The SG wiring should be done first.)

⚠ Caution

- The driver blade should be at least 2.5mm by 0.4mm in size. Pull the electric wire lightly after inserting the end to ensure it will not come out.

• Circuit Specifications



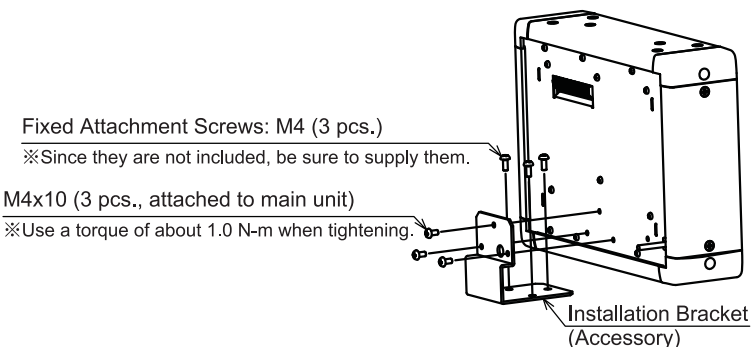
⚠ Caution

- Be sure to disconnect the power prior to wiring. Failure to comply may result in product failure or electric shock.
- Do not apply voltage to an input terminal. Possible cause of failure may occur.
- When using long wire to connect to an input terminal, be careful to prevent interference noise or a voltage drop.
- When connecting to inductive loads to an output terminal, such as a relay, be careful of surges and inductive noise.

6. Installation

[VE25]

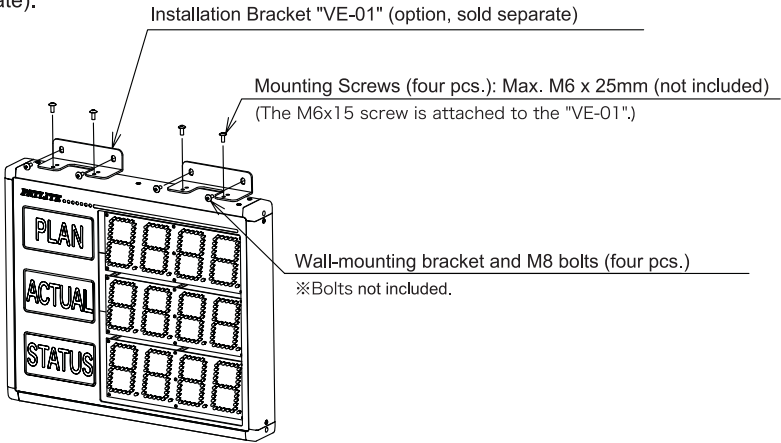
- Install with the attachment parts. After removing the attachment parts from the main unit, attach the bracket to the fixing location, then use the screws to secure it.



[VE100]

Attachment holes (four places) are available for ceiling or wall mounting.

The following installation is an example using the "VE-01" attachment bracket (option, sold separate).



※ When installing on a wall surface, about 10mm clearance is required to allow the AC Adaptor cable to pass-through in the back.

Warning

Be sure to attach to the wall securely. Falling from its mounting position could cause injury.

7. Maintenance Service and Inspection

7.1 Cleaning

- Prior to cleaning this machine, be sure to disconnect the power supply, first.
- Do not wipe the machine with volatile chemicals or chemical dust cloths consisting of benzene, thinners, etc.
- Wipe the main unit down with a soft dry cloth.
- If dirt cannot be removed by a dry cloth, use a damp cloth to wipe it.

7.2 Inspection

	Inspection Items	Inspection Contents
Power Source	Power Supply Voltage Tolerance	It is within the allowable voltage range (AC100V to 240V)
Surrounding Environment	Ambient Temperature	It is within the tolerable range (0°C to 40°C)
	Ambient Humidity	It is within the tolerable range (35% to 85% RH)
	Presence of Dust	No dust has accumulated.
Installation Condition	Installation Bracket Looseness	No loose screws or brackets present.
	AC Adaptor Connector	Plug is to be inserted completely.
	Connector Cables	There are no cut or damaged connector cables. No connectors are loose or disconnected from the Terminal Buss.
	Slack in the side cover screw.	There is no freedom of movement.

8. Before Requesting Repair

- If the product is believed to be in need of repair, read through the manuals for troubleshooting tips before sending a request for repair.
- In case after inspection a problem is found, contact your PATLITE sales representative from the contact list indicated at the end of this manual.

In addition, indicate the name of the product and serial number found on the nameplate of the product.

PATLITE Corporation		G2G
PATLITE Corporation ※Head office		■ http://www.patlite.com/
4-1-3, Kyutaromachi, Chuo-ku, Osaka 541-0056 Japan		
PATLITE (U.S.A.) Corporation		■ http://www.patlite.com/
PATLITE Europe GmbH ※Germany		■ http://www.patlite.eu/
PATLITE (SINGAPORE) PTE LTD		■ http://www.patlite.com/
PATLITE (CHINA) Corporation		■ http://www.patlite.cn/
PATLITE KOREA CO., LTD.		■ http://www.patlite.co.kr/
PATLITE TAIWAN CO., LTD.		■ http://www.patlite.tw/
PATLITE (THAILAND) CO., LTD.		■ http://www.patlite.co.th/

PATLITE is a trademark or registered trademark of the PATLITE Corporation in Japan and/or other countries.

Real-time Visual LED Display VE Series



Instruction Manual

Thank you very much for purchasing the VE Series Real-time Visual LED Display (henceforth written as "this Machine"). Prior to installation, please read through this manual for proper installation and precautionary steps. For a full explanation for the operation and settings of this machine, please download the PDF manual from our home page (<http://www.patlite.com>) and read it. In addition, please store this manual for future reference when performing maintenance, repairs or inspections. When performing maintenance and repairs, etc., please be sure to reread this book. Please understand that the contents in this manual or specifications of this machine may change (for improvements or revisions) without any notice.

After reading this manual, if there are any questions regarding this machine, please contact your PATLITE Sales Representative from the contact list indicated at the end of this manual.

The reproduction in part or in whole of the contents of this book is forbidden without prior notice to our company. Since the operation of this machine requires an exclusive remote control (VE-IRU), please purchase one separately.

- The following symbols classifies the different categories and explains the level of harm inflicted if the cautions are disregarded.

 Warning	Indicates an imminently dangerous condition : Failure to follow the instructions may lead to death or serious injury.
 Caution	Indicates a potentially dangerous condition: Failure to follow the instructions may lead to slight injury or property damage.

1. Notice for Safe Operation

Warning

- The rated voltage of the attached AC Adaptor is AC 100V - 240V. Do not allow the voltage to exceed the specified voltage tolerance. Failure to comply will result in damage of the internal circuitry, electric shock, or fire.
- The AC Adaptor should use the appropriate attachments at any cost. The AC Adaptor included is exclusively for the use with this machine. Therefore, do not use the AC Adaptor with any other equipment.
- Periodically clean (wipe) the electric socket plug of the AC adaptor to prevent short-circuiting due to the conductivity of dust particles. Failure to maintain the machine will result in a fire if too much dust has collected.
- Be sure to turn off the power when performing maintenance, wiring or repairs. Failure to comply may result in electric shock or damage to this machine.
- This machine is not intended for use in applications which involve human life or highly advanced reliability. If this product is used for such applications above, or applications outside the intended use of this product, causing an accident resulting in injury, death, damage, production delay, etc., due to the failure or malfunction of this machine, we are not liable. When using this machine for security purposes, use it in addition to other security products and inspect it periodically.
- When installing, request the assistance of, or the installation of this product from a professional contractor. When attaching this machine to a wall surface or ceiling, please ensure the mounting location can bear the weight of this machine (consult with a construction specialist if necessary. Failure to comply may result in this machine falling, causing death, injury to passers-by or damage of this product.

Caution

- Do not locate near high temperature sources, open flames or humid places. Moreover, do not use this machine in a place which can be exposed to corrosive or combustible gas.
- Avoid the intrusion of foreign substances, such as water or chemicals; or metals, such as metal filings, from entering this machine. Failure to comply may result in product failure or electric shock.
- Do not attempt to repair or modify this machine. Failure to comply will result in equipment damage or fire.
- Do not over-bend the AC adaptor cable. Disconnection will result in this machine breaking down.